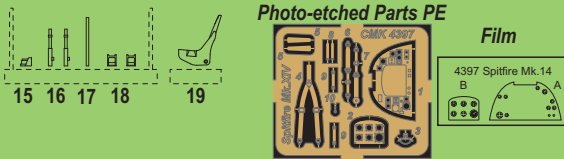
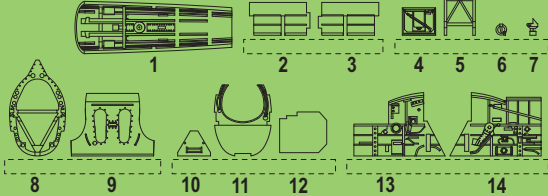


like us at  
<https://www.facebook.com/specialhobby>

**4397** Spitfire Mk.XIV  
 'Bubble Canopy'  
 1/48 Cockpit  
 set for Airfix kit



Polyurethane parts PUR



Díly ohnuté popř. pokroucené vlivem teplotních změn a stárnutí materiálu, mohou být narovnaný do požadovaného tvaru pomocí proudu teplé vody nebo vzduchu (fén na vlasy).

Parts slightly distorted and bent owing to temperature changes or due to material ageing can be straightened to requested shape by hot water or hot air jet. (hair dryer)

This process can be repeated till result is entirely satisfactory.

K lepení použít kyanoakrylátové lepidlo!  
 For best result gluing use cyanoacrylate glue!

Kontaktní plochy doporučujeme před lepením odmastit  
 Contact areas ungrease is recommended before gluing.

Visit our official website and e-shop at  
[www.cmkkits.com](http://www.cmkkits.com)  
[www.specialhobby.eu](http://www.specialhobby.eu)

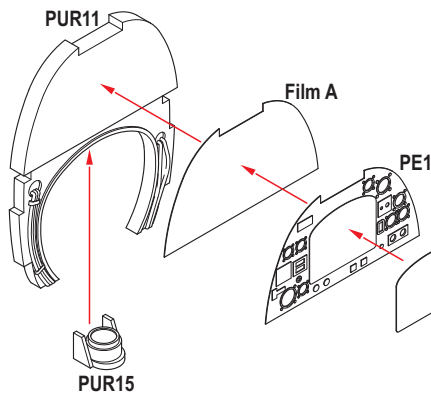


OTHER ITEMS - 1:72 SETS

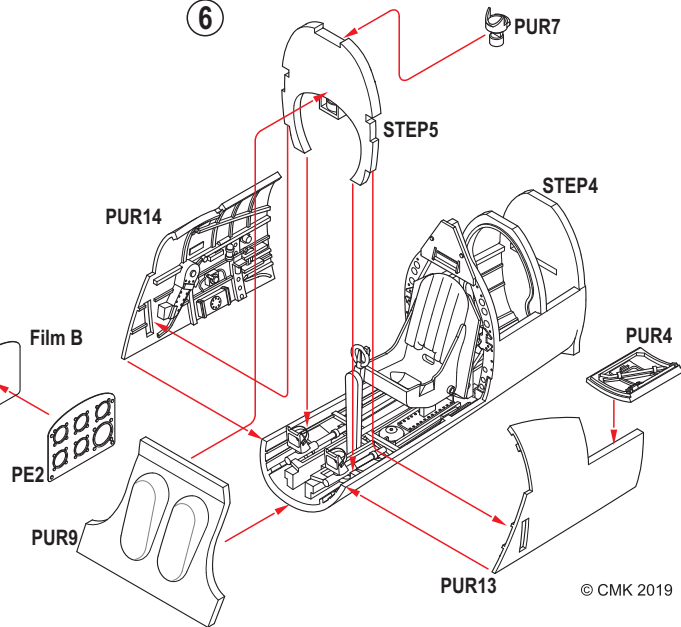
- 4394 Tempest Napier Sabre Fus. Fuel and Oil Tanks for Eduard kit
- 4393 Tempest Napier Sabre Eng. (upper half) for Eduard kit
- 4382 Blenheim Mk. I Mainwheels for Airfix kit
- 4381 Blenheim Mk. IF Armament for Airfix kit
- 4380 Blenheim Mk. I pilot's and navigator's seats
- 4379 Blenheim Mk. I/IF Tailwheel with strengthened leg
- 4378 Blenheim Mk. I/IF Mainwheels Set for Airfix kit
- 4363 Boulton Paul Defiant - Engine set for Airfix kit
- 4364 Boulton Paul Defiant - Cockpit set for Airfix kit

Special Hobby, Mezilesí 718, CZ - Praha 9, 193 00,  
 e-mail: office@specialhobby.eu

5



6



© CMK 2019

