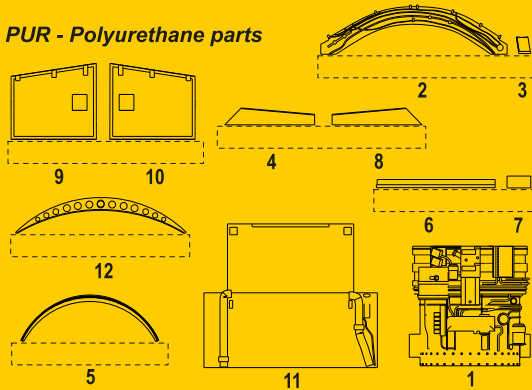


4396  
1/48

**Harrier GR. 7  
Engine**  
set for Hasegawa kit



PUR - Polyurethane parts



Díly ohnuté popř. pokroucené vlivem teplotních změn a stárnutí materiálu, mohou být narovnaný do požadovaného tvaru pomocí proudu teplé vody nebo vzduchu (fén na vlasy). Různé drátky a tyčinky nejsou přiloženy. K lepení použijte kyanoakrátové lepidlo. Kontaktní plochy doporučujeme před lepením odmastit.

Parts slightly distorted and bent owing to temperature changes or due to material ageing can be straightened to requested shape by hot water or hot air jet (hair dryer). Wires and rods not included. For best results use cyanoacrylate glue. Contact areas ungrease is recommended before gluing.

Visit our official website and e-shop at  
[www.cmkkits.com](http://www.cmkkits.com)

[www.specialhobby.eu](http://www.specialhobby.eu)

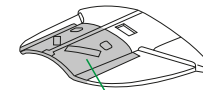
[www.facebook.com/specialhobby/](https://www.facebook.com/specialhobby/)



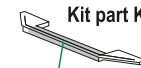
OTHER 1/48 SETS

- 4395 Harrier GR.7 Interior
- 4392 Hawker Hunter F.6 Wheel set for Airfix kit
- 4388 Hawker Hunter F.6 Undercarriage set for Airfix kit
- 4348 BAC Lightning F2A/F6 Electronics set for Airfix
- 4350 BAC Lightning F2/F2A/F3/F6 Cockpit set
- 4349 BAC Lightning F2A/F6 Control Surface set
- 4348 BAC Lightning F2A/F6 1/48 Engine set for Airfix
- 4347 BAC Lightning F1/F1A 1/48 Cockpit set for Airfix
- 4346 BAC Lightning F1/F1A/F2/F3 Control Surface set
- 4345 BAC Lightning Main Undercarriage Bay set
- 4344 BAC Lightning Front Undercarriage Bay set
- 4343 BAC Lightning Air Brake set for Airfix kit
- 4340 Matra Type 155 SNEB Rocket Launcher Pod

Kit part K5

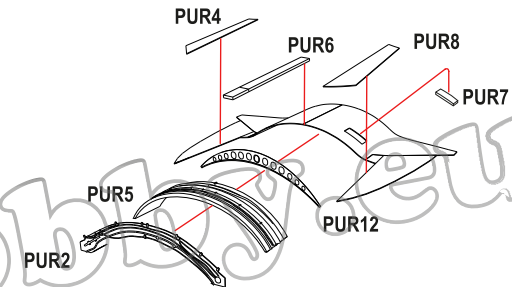


Kit part K4



Odstranit / Remove

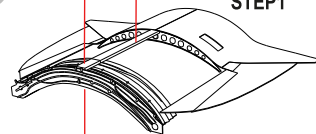
1



2



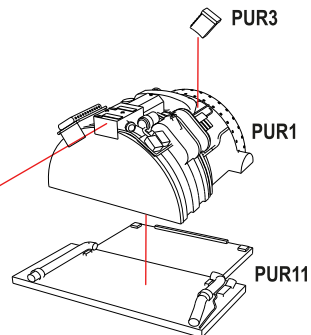
STEP1



PUR3

PUR1

PUR11



3

