

**7480 Beaufighter Mk.I/VI Mainwheels**  
**1/72 Early Wheel Disk / Smooth Tyre**  
*for Airfix and others Beau kits*



**PUR - Polyurethane parts**



© Special Hobby 2021

Díly ohnuté popř. pokroucené vlivem teplotních změn a stárnutí materiálu, mohou být narovnané do požadovaného tvaru pomocí proudu teplé vody nebo vzduchu (fén na vlasy). K lepení použít kvanoakrylátové lepidlo! Kontaktní plochy doporučujeme před lepením odmastit. Různé drátky a tyčinky nejsou přiloženy.

*Parts slightly distorted and bent owing to temperature changes or due to material aging can be straightened to requested shape by hot water or hot air jet (hair dryer). This process can be repeated till result is entirely satisfactory. For best result use cyanoacrylate glue! Ungreasing contact areas is recommended before gluing. Wires and rods not included.*

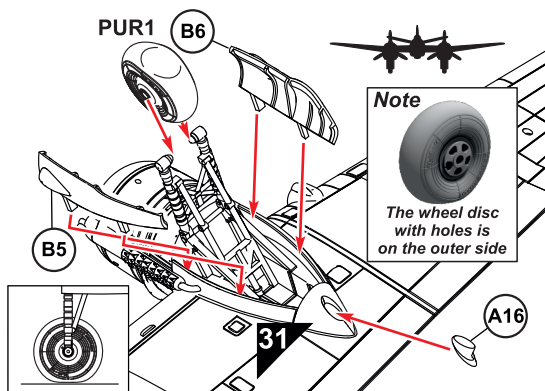
**www.cmkkits.com**  
**www.specialhobby.eu**  
**www.facebook.com/specialhobby/**



**CMK H1010**

The Razor Saw with Handle (cat. n. H1010)  
 is a great tool for cutting both plastic and resin.  
 CMK also offers a wide variety  
 of coarse / medium / fine saws.

Special Hobby, Mezileší 718, Praha 9, 193 00, Czech Republic  
 e-mail: office@specialhobby.eu



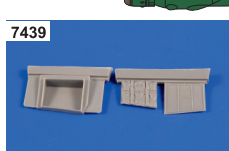
Special Hobby offers these sets for 1/72 Beaufighter in the CMK line:



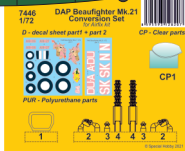
Beaufighter TF Mk.X Cockpit



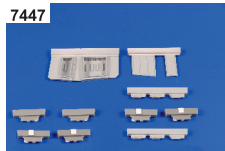
Beaufighter TF Mk.X  
 Main Undercarriage Bays  
 Correction



Beaufighter TF Mk.X Dinghy



7446 DAP Beaufighter Mk.21  
 Conversion Set  
 (includes)  
 1 - decal sheet part 1 + part 2  
 CP1 - Clear paint  
 PUR - Polyurethane parts



Beaufighter Mk.X Armament  
 - Wing Gun Bays

