

**PLT048**

# Breda Ba.44



## Breda 44

Vzhledem velmi podobný letounu DeHavilland Dragon, lehký transportní letoun Breda 44 byl postaven v roce 1934.

Stejně jako Dragon, Breda 44 byl dvoumotorový dvojplášník s kapacitou pro šest cestujících.

Mimo omezené použití tohoto letounu v Itálii, malý počet tohoto letounu byl dodán do Paraguaye během lokální války s Bolivií.

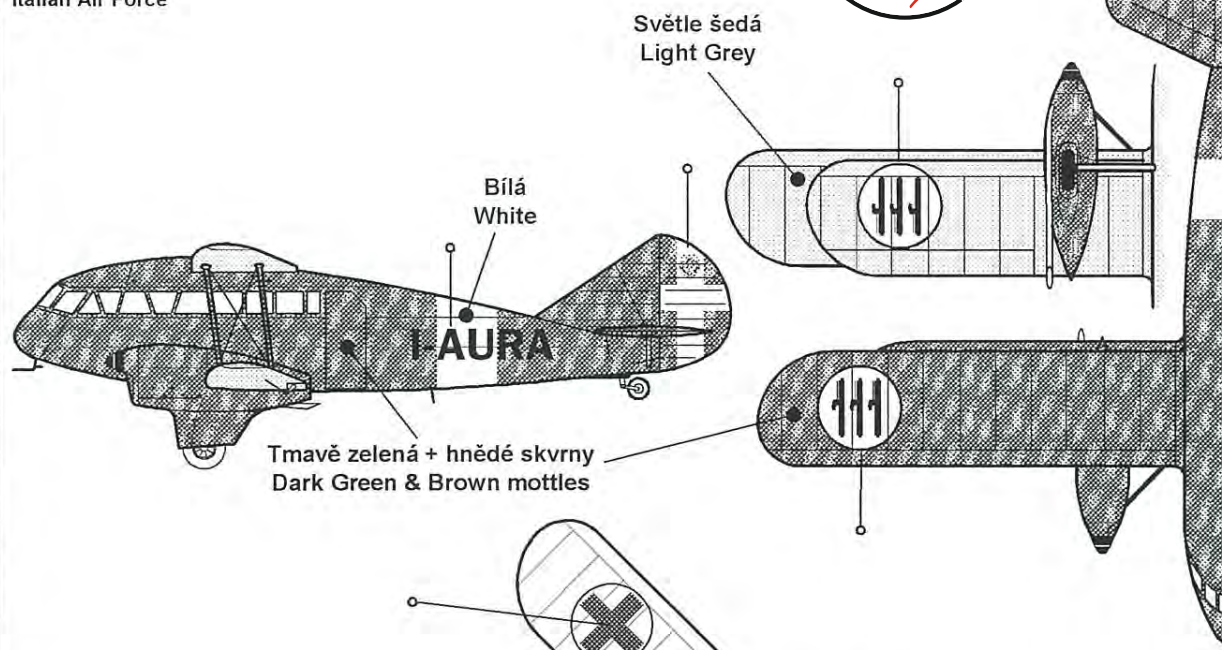
## Breda 44

Bearing a general similarity to the DeHavilland Dragon, the Breda 44 light transport was built in 1934.

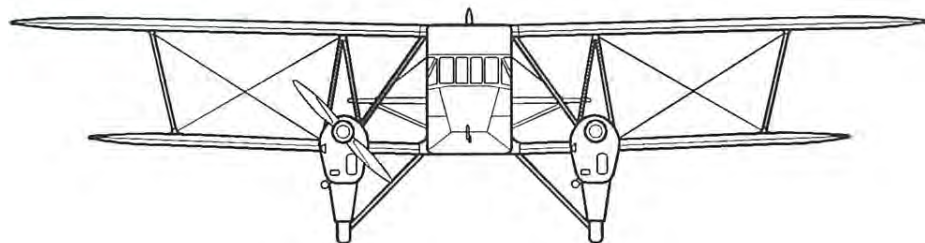
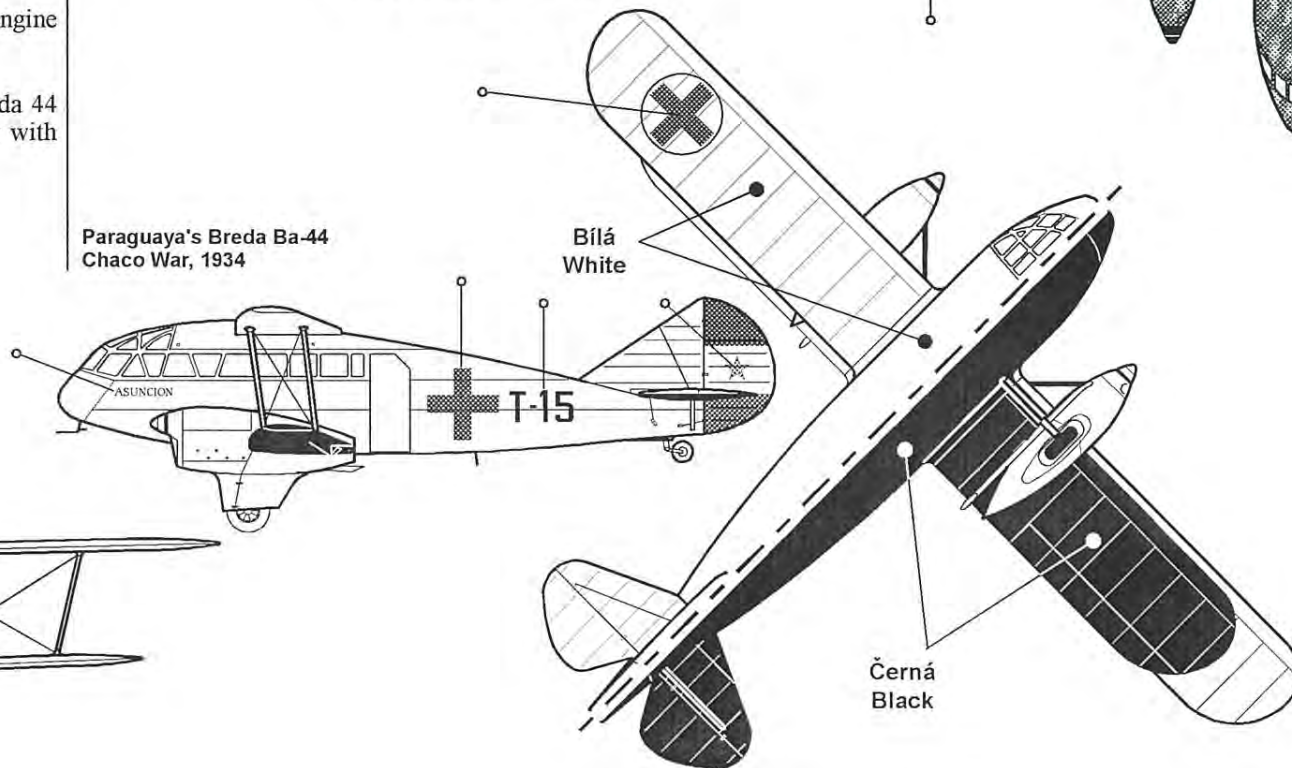
Like the Dragon, the Breda was a six-passenger twin-engine biplane.

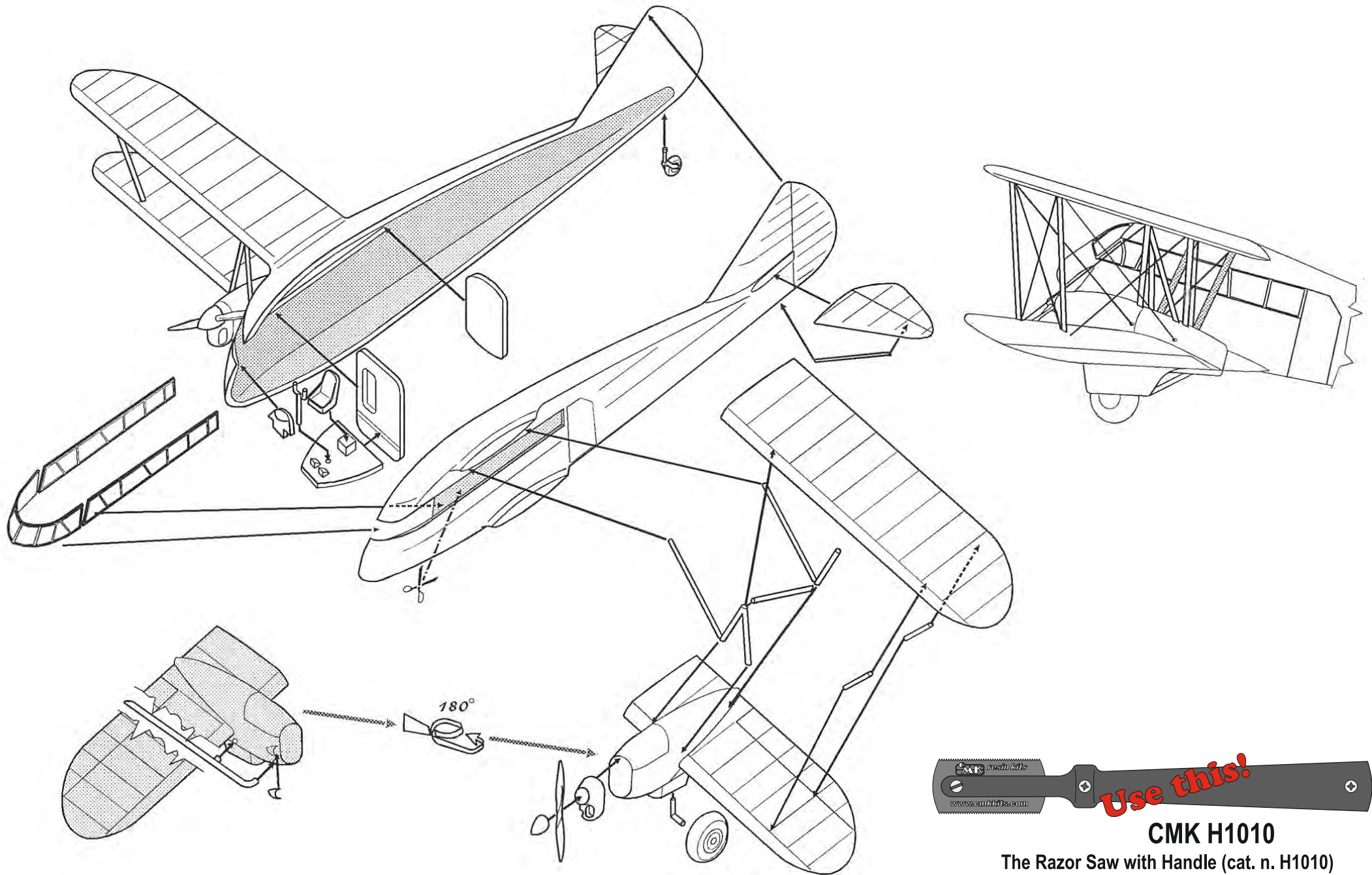
In addition to their limited use in Italy, a number of Breda 44 transports were exported to Paraguay during that country's war with Bolivia.

Breda Ba-44  
Italian Air Force



Paraguay's Breda Ba-44  
Chaco War, 1934





**CMK H1010**  
The Razor Saw with Handle (cat. n. H1010)  
is a great tool for cutting both plastic and resin.  
CMK also offers a wide variety  
of coarse / medium / fine saws.