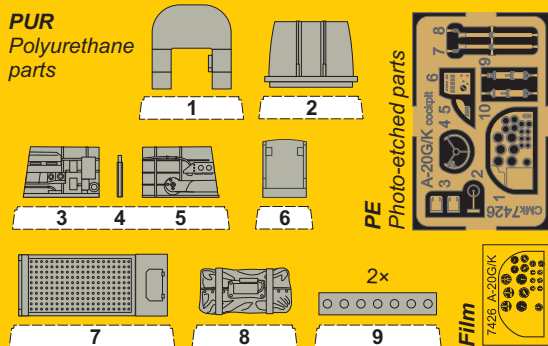


like us at
<https://www.facebook.com/specialhobby>

7426 A-20G/H/K/J Havoc/
1/72 Boston Mk.IV/V Interior Set
for Special Hobby kits



PUR
Polyurethane
parts



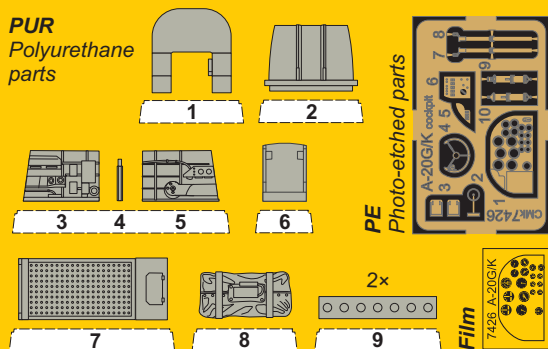
© Special Hobby 2020

like us at
<https://www.facebook.com/specialhobby>

7426 A-20G/H/K/J Havoc/
1/72 Boston Mk.IV/V Interior Set
for Special Hobby kits



PUR
Polyurethane
parts



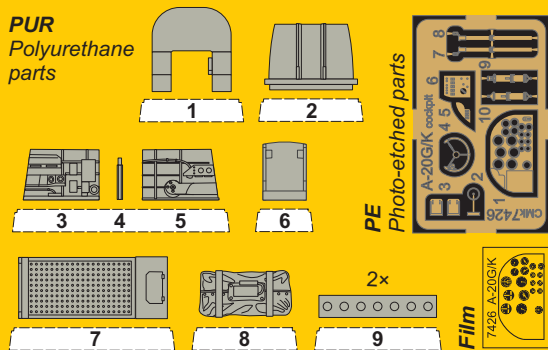
© Special Hobby 2020

like us at
<https://www.facebook.com/specialhobby>

7426 A-20G/H/K/J Havoc/
1/72 Boston Mk.IV/V Interior Set
for Special Hobby kits



PUR
Polyurethane
parts



© Special Hobby 2020

Díly ohnuté popř. pokroucené vlivem teplotních změn a stárnutí materiálu, mohou být narovnány do požadovaného tvaru pomocí proudu teplé vody nebo vzduchu (fén na vlasy).

Parts slightly distorted and bent owing to temperature changes or due to material ageing can be straightened to requested shape by hot water or hot air jet. (hair dryer)

This process can be repeated till result is entirely satisfactory.

K lepení použít kyanoakrylátové lepidlo!

For best result gluing use cyanoacrylate glue!

Kontaktní plochy doporučujeme před lepením odmastit
Contact areas ungrease is recommended before gluing.

Visit our official website and e-shop at
www.cmkkits.com
www.specialhobby.eu



OTHER ITEMS – 1:72 SETS

- 7439 Beaufighter TF Mk.X Dinghy Set
- 7438 Beaufighter TF Mk.X Main Undercarriage Bays Correction, for Airfix kit
- 7437 Beaufighter TF Mk.X Cockpit, for Airfix kit
- 7435 F4F-4 Wildcat Dinghy Set, for Airfix kit
- 7434 F4F-4 Wildcat Interior, for Airfix kit
- 7427 A-20G/H/K/J Havoc/Boston Mk.IV/V Gun Turret, for Special Hobby kits
- 7425 Hudson Mk.I-V cockpit for Special Hobby/MPM Production kits
- 7416 Palouste Mk.101/102 – Jet Air Starter Trolley and Airborne Pod
- 7409 Ki-43 II/III Hayabusa Control Surface Set, for Special Hobby kits
- 7408 Ki-43-II/III Hayabusa Cockpit Set, for Special Hobby kit

Special Hobby, Mezilesí 718, CZ - Praha 9,193 00,
e-mail: office@specialhobby.eu

Díly ohnuté popř. pokroucené vlivem teplotních změn a stárnutí materiálu, mohou být narovnány do požadovaného tvaru pomocí proudu teplé vody nebo vzduchu (fén na vlasy).

Parts slightly distorted and bent owing to temperature changes or due to material ageing can be straightened to requested shape by hot water or hot air jet. (hair dryer)

This process can be repeated till result is entirely satisfactory.

K lepení použít kyanoakrylátové lepidlo!

For best result gluing use cyanoacrylate glue!

Kontaktní plochy doporučujeme před lepením odmastit
Contact areas ungrease is recommended before gluing.

Visit our official website and e-shop at
www.cmkkits.com
www.specialhobby.eu



OTHER ITEMS – 1:72 SETS

- 7439 Beaufighter TF Mk.X Dinghy Set
- 7438 Beaufighter TF Mk.X Main Undercarriage Bays Correction, for Airfix kit
- 7437 Beaufighter TF Mk.X Cockpit, for Airfix kit
- 7435 F4F-4 Wildcat Dinghy Set, for Airfix kit
- 7434 F4F-4 Wildcat Interior, for Airfix kit
- 7427 A-20G/H/K/J Havoc/Boston Mk.IV/V Gun Turret, for Special Hobby kits
- 7425 Hudson Mk.I-V cockpit for Special Hobby/MPM Production kits
- 7416 Palouste Mk.101/102 – Jet Air Starter Trolley and Airborne Pod
- 7409 Ki-43 II/III Hayabusa Control Surface Set, for Special Hobby kits
- 7408 Ki-43-II/III Hayabusa Cockpit Set, for Special Hobby kit

Special Hobby, Mezilesí 718, CZ - Praha 9,193 00,
e-mail: office@specialhobby.eu

Díly ohnuté popř. pokroucené vlivem teplotních změn a stárnutí materiálu, mohou být narovnány do požadovaného tvaru pomocí proudu teplé vody nebo vzduchu (fén na vlasy).

Parts slightly distorted and bent owing to temperature changes or due to material ageing can be straightened to requested shape by hot water or hot air jet. (hair dryer)

This process can be repeated till result is entirely satisfactory.

K lepení použít kyanoakrylátové lepidlo!

For best result gluing use cyanoacrylate glue!

Kontaktní plochy doporučujeme před lepením odmastit
Contact areas ungrease is recommended before gluing.

Visit our official website and e-shop at
www.cmkkits.com
www.specialhobby.eu

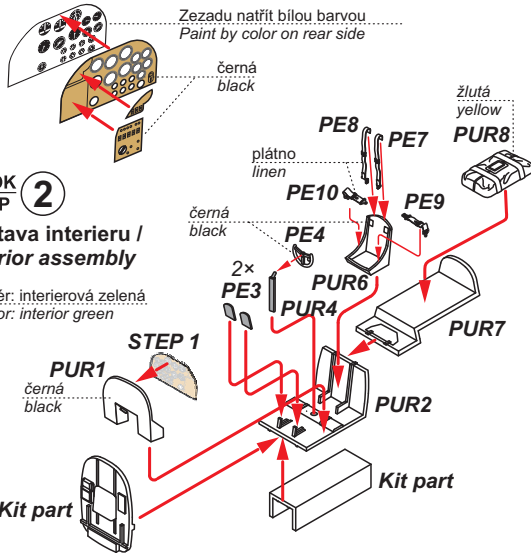


OTHER ITEMS – 1:72 SETS

- 7439 Beaufighter TF Mk.X Dinghy Set
- 7438 Beaufighter TF Mk.X Main Undercarriage Bays Correction, for Airfix kit
- 7437 Beaufighter TF Mk.X Cockpit, for Airfix kit
- 7435 F4F-4 Wildcat Dinghy Set, for Airfix kit
- 7434 F4F-4 Wildcat Interior, for Airfix kit
- 7427 A-20G/H/K/J Havoc/Boston Mk.IV/V Gun Turret, for Special Hobby kits
- 7425 Hudson Mk.I-V cockpit for Special Hobby/MPM Production kits
- 7416 Palouste Mk.101/102 – Jet Air Starter Trolley and Airborne Pod
- 7409 Ki-43 II/III Hayabusa Control Surface Set, for Special Hobby kits
- 7408 Ki-43-II/III Hayabusa Cockpit Set, for Special Hobby kit

Special Hobby, Mezilesí 718, CZ - Praha 9,193 00,
e-mail: office@specialhobby.eu

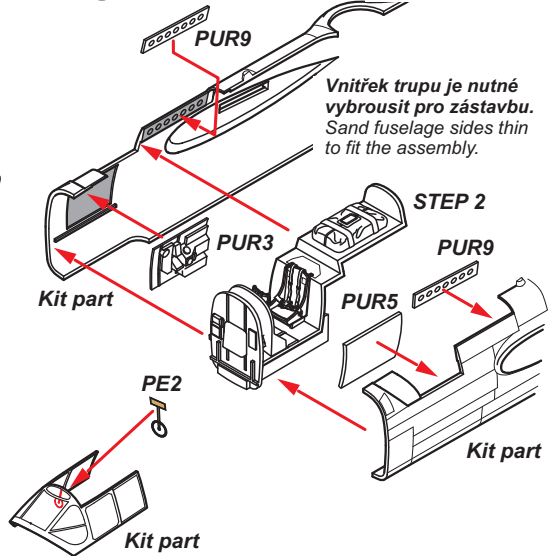
KROK STEP 1 Montáž palubní desky / Instrument panel assembly



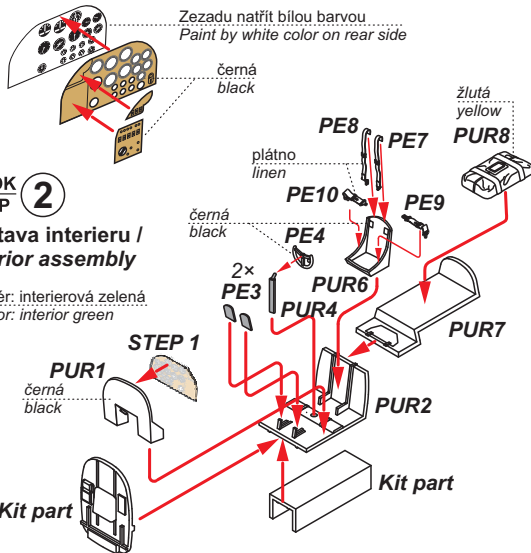
KROK STEP 2 Sestava interieru / Interior assembly

Interiér: interierová zelená
Interior: interior green

KROK STEP 3 Konečná montáž / Final assembly



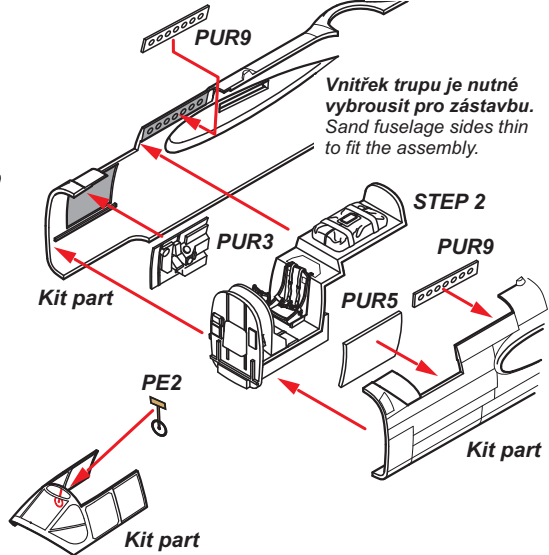
KROK STEP 1 Montáž palubní desky / Mounting of instrument panel



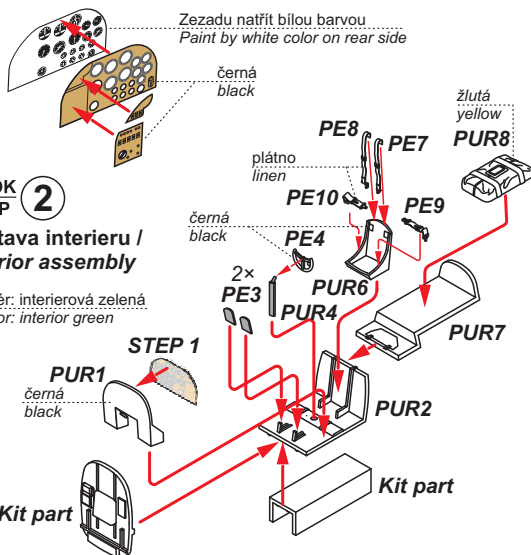
KROK STEP 2 Sestava interieru / Interior assembly

Interiér: interierová zelená
Interior: interior green

KROK STEP 3 Konečná montáž / Final assembly



KROK STEP 1 Montáž palubní desky / Mounting of instrument panel



KROK STEP 2 Sestava interieru / Interior assembly

Interiér: interierová zelená
Interior: interior green

KROK STEP 3 Konečná montáž / Final assembly

