

Novinky v řadě Military Vehicle / News in the Military Vehicles series:

60 cm Flak Scheinwerfer (Flak Sw-36) mit Sd.Ah.51 'Světlomet 60N s vlečkem'
MV130
 1/72

DETAILNI 3D TIŠTĚNÁ STAVEBNICE
 DETAILED 3D PRINTED KIT



MADE IN THE CZECH REPUBLIC

15 cm TbtSk C/36 'WWII German Atlantic Wall Gun'
MV126
 1/72

DETAILNI RESINOVÝ MODEL S LEPTY
 DETAILED RESIN KIT WITH PE FRET



MADE IN THE CZECH REPUBLIC

Elektrischer Generator 8kw für Flak Sw-36 mit Sd.Ah.51
MV131
 1/72

DETAILNI 3D TIŠTĚNÁ STAVEBNICE
 DETAILED 3D PRINTED KIT



MADE IN THE CZECH REPUBLIC

Fordson WOT2E 'British WWII 15-cwt truck'
MV134
 1/72

MADE IN THE CZECH REPUBLIC
 Detailed kit contains resin cast parts, 3D printed parts, decals and PE fret



3D tištěné a odlévané sady pro 1/72 bojovou techniku
 3D printed and casted 1/72 AFV sets

B72107 15 cm Nebelwerfer 41 / 3,7 cm PaK 36 Wheels for Special Hobby kit
PUR - Polyurethane parts



© Special Hobby 2022
 Special Hobby, Mezilesí 718, Praha 9, 193 00, Czech Republic
 e-mail: office@specialhobby.eu

P72007 Czech Hedgehog (Rozsocháč) - WWII Anti-tank Barrier (4 pcs)
3D-Printed Parts



P72006 German WWII Aircraft Maintenance Toolbox
3D-Printed Parts



P72003 Transport box with Panzerfausts
3D-Printed Parts



2062 Concrete Hedgehog WWII Anti-tank Barrier (4 pcs)
Resin Parts




Odlévaný model / All resin kit

MV132
1/72

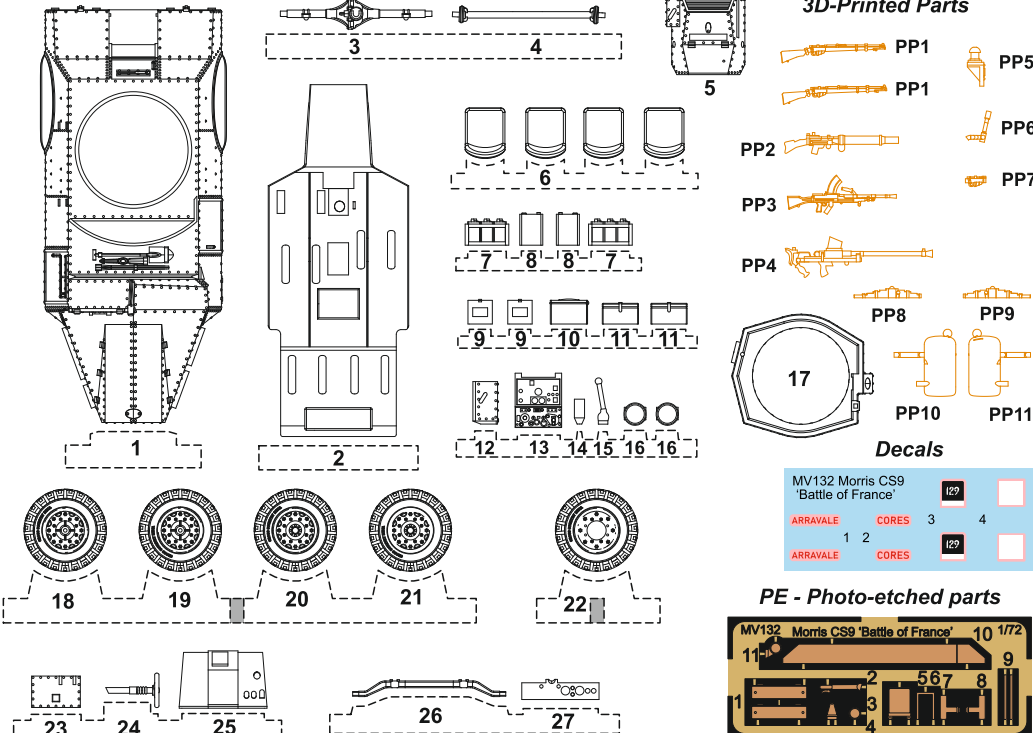
Morris CS 9 British Light Armoured Car 'Battle of France'

Visit our official website and e-shop at

www.cmkkits.com
www.specialhobby.eu

www.facebook.com/specialhobby

PUR - Polyurethane parts



3D-Printed Parts

- PP1 (x2)
- PP2 (x2)
- PP3 (x2)
- PP4 (x2)
- PP5 (x2)
- PP6 (x2)
- PP7 (x2)
- PP8 (x2)
- PP9 (x2)
- PP10 (x2)
- PP11 (x2)

Decals

MV132 Morris CS9 'Battle of France'

ARRAVALLE CORES 1 2 3 4
 ARRAVALLE CORES 1 2 3 4

PE - Photo-etched parts

MV132 Morris CS9 'Battle of France' 10 1/72

Resinové díly ohnuté popř. pokroucené vlivem teplotních změn a stárnutí materiálu, mohou být narovnány do požadovaného tvaru pomocí proudu teplé vody nebo vzduchu (fén na vlasy). Ohnuté 3D tisky narovnejte ponořením do horké vody, srovnejte je a zchladte studenou vodou. K lepení použijte kyanoakrylátové lepidlo! Kontaktní plochy doporučujeme před lepením odmastit. Různé drátky a tyčinky nejsou přiloženy.

Parts slightly distorted and bent owing to temperature changes or due to material aging can be straightened to requested shape by hot water or hot air jet (hair dryer). This process can be repeated till result is entirely satisfactory. You can also correct bent 3D printed parts: put them into hot water, straighten them and cool them in cold water.

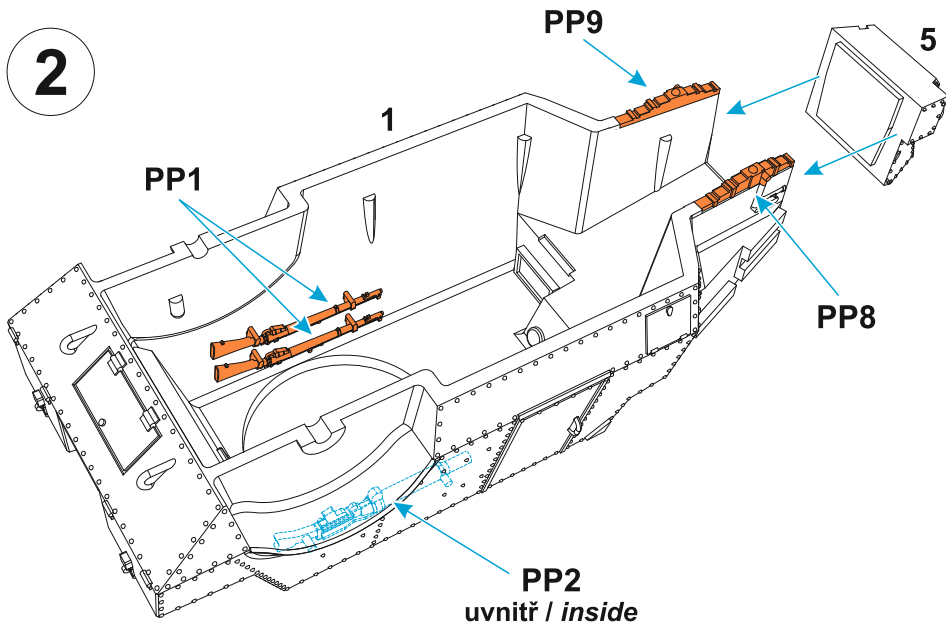
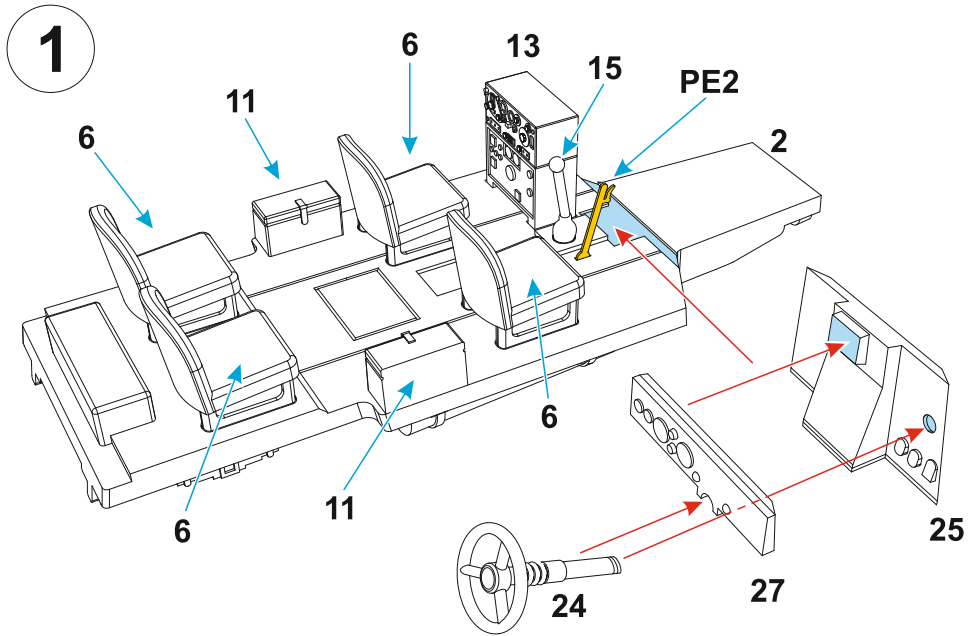
For best result use cyanoacrylate glue! Ungreasing contact areas is recommended before gluing.
 Wires and rods not included.

SYMBOLS

MOŽNOST VOLBY OPTIONAL NACH BELIEBEN OPTION	POUŽÍTE KYANOAKRYLÁTOVÉ LEPIDLO INSTANT CYANOACRYLATE GLUE ZYANOAKRYLATKLEBER ADHESIF CYANOACRYLAT	OHNOUT BEND BIEGEN COURBER	ZHOTOVIT NOVÉ SCRATCH BUILD FERTIGSTELLEN ACHEVER	REZATI/VRTAT CUT OFF/DRIILL ENTFERNEN DETACHER	NATŘÍT COLOUR FARBEN PEINDRE
--	---	-------------------------------------	--	---	---------------------------------------

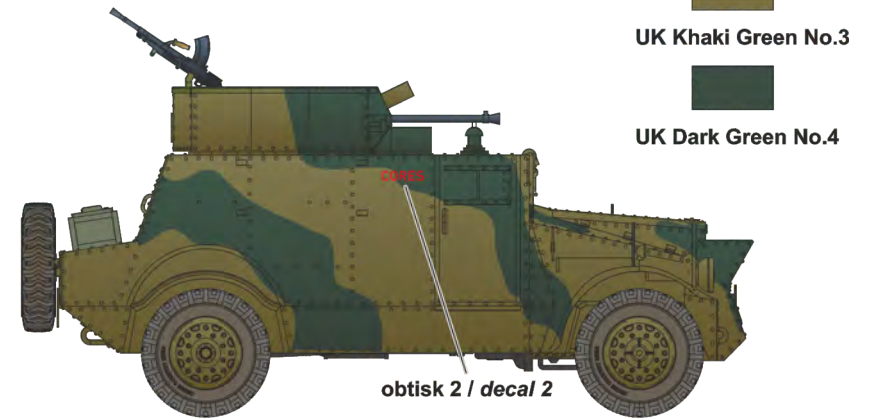
[facebook.com/specialhobby](https://www.facebook.com/specialhobby)
WWW.SPECIALHOBBY.EU | WWW.CMKKITS.COM

Producer: Special Hobby, Mezilesí 718, 193 00 Praha 9, Czech Republic



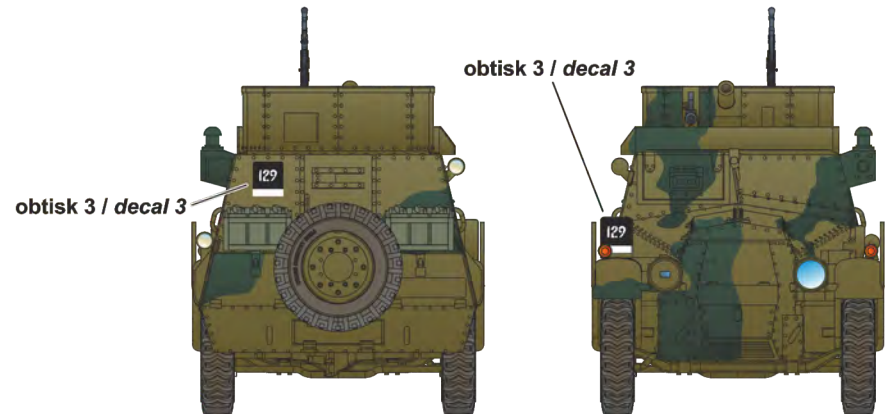
Morris CS 9, pluk 12th Royal Lancers, C squadron, pojmenovaný Cores, Francie, podzim 1939.
 Morris CS 9, 12th Royal Lancers regiment, C squadron, named Cores, France, autumn 1939.

B



UK Khaki Green No.3

UK Dark Green No.4



obtisk 3 / decal 3

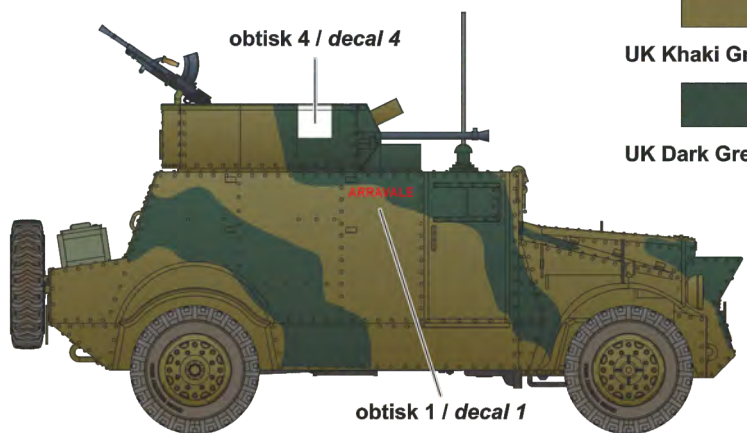
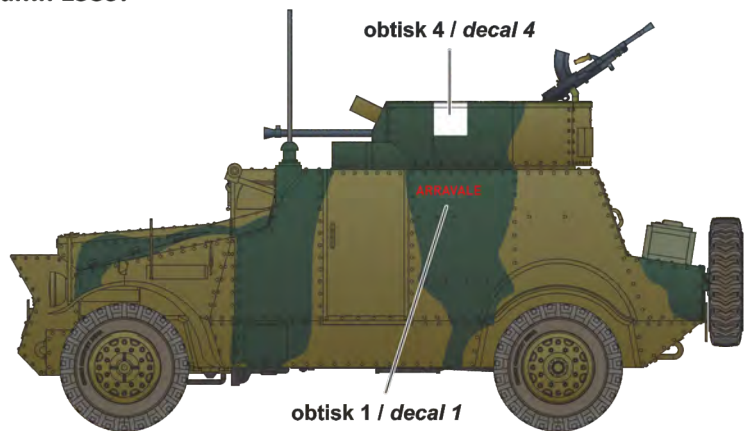
obtisk 3 / decal 3

obtisk 3 / decal 3

Morris CS 9, pluk 12th Royal Lancers , A squadron, pojmenovaný Arravale, Avesnes, Francie, podzim 1939.

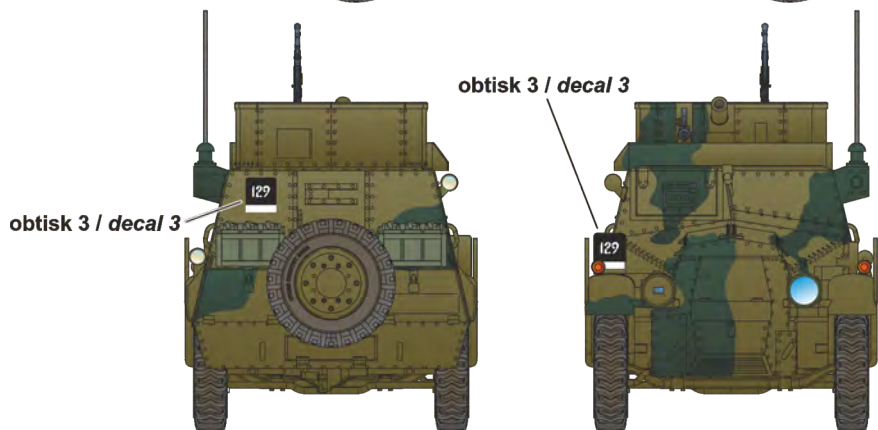
Morris CS 9, 12th Royal Lancers regiment, A squadron, named Arravale, Avesnes, Francie, autumn 1939.

A

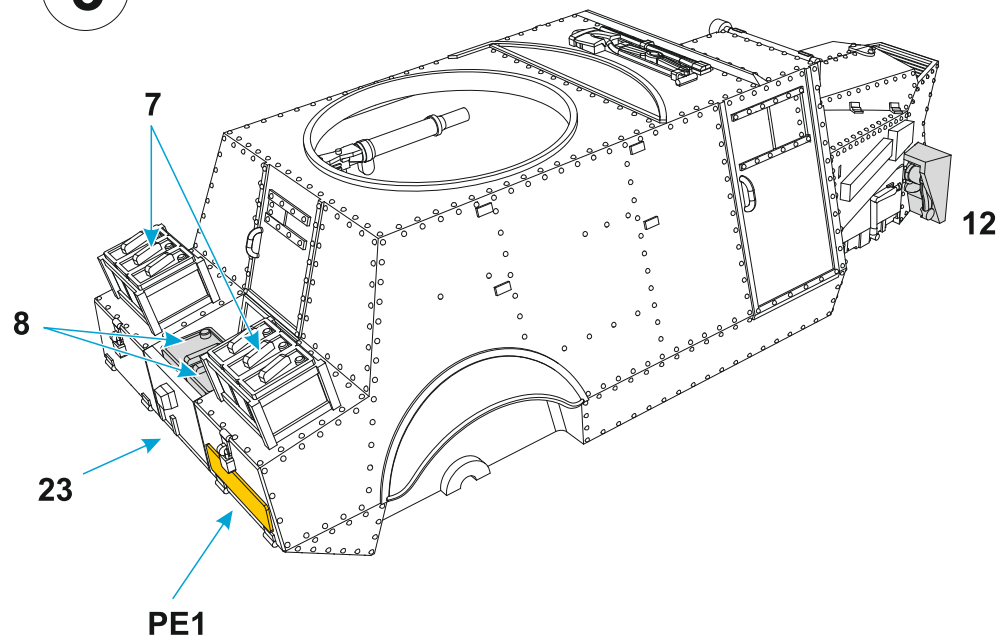


UK Khaki Green No.3

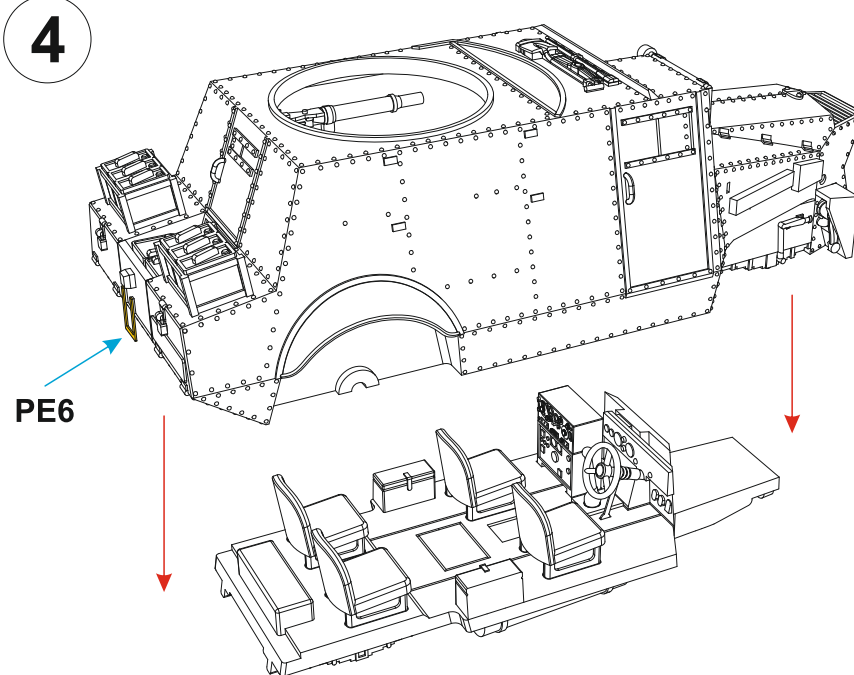
UK Dark Green No.4



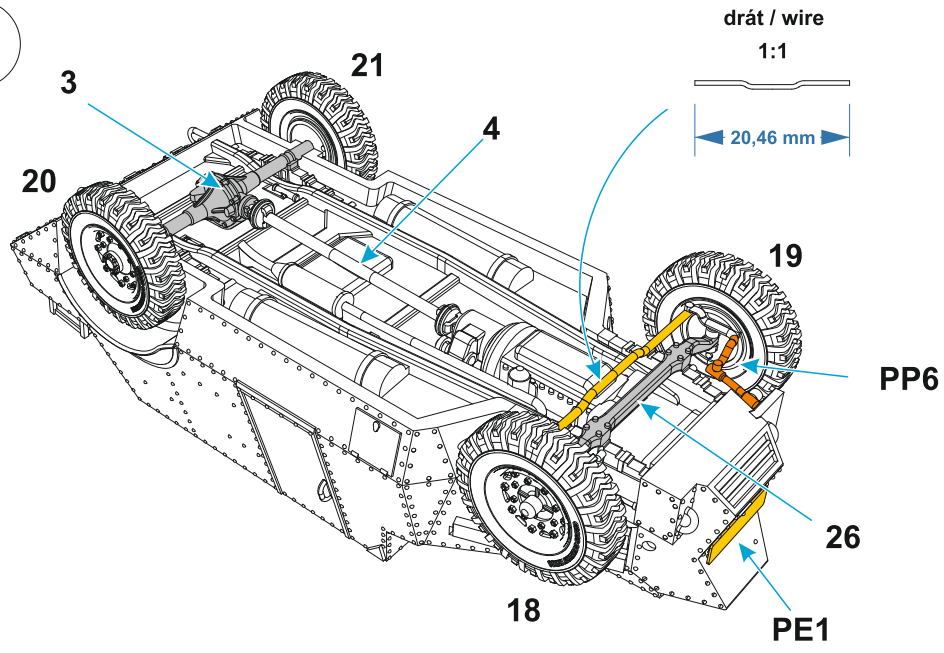
3



4

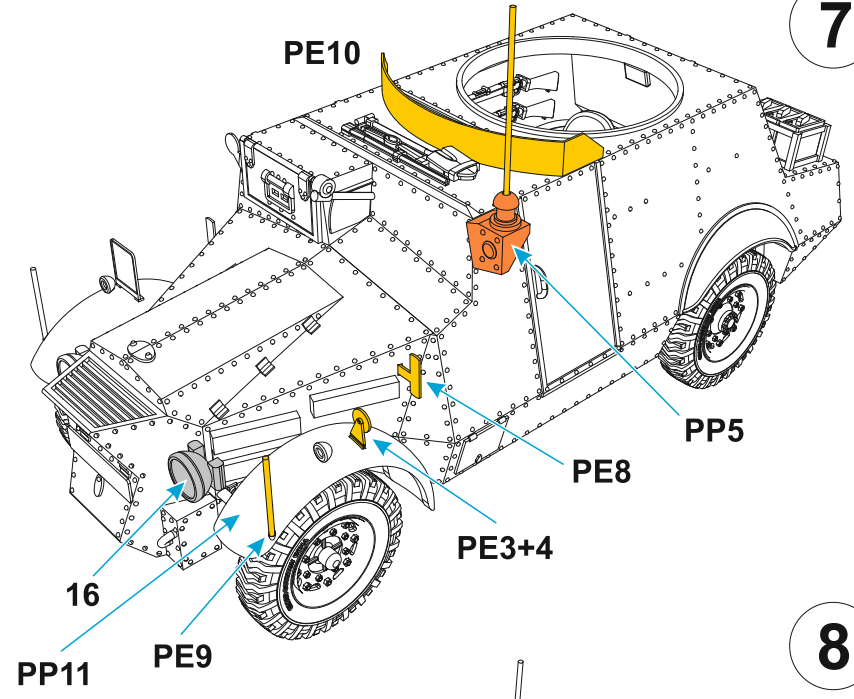


5

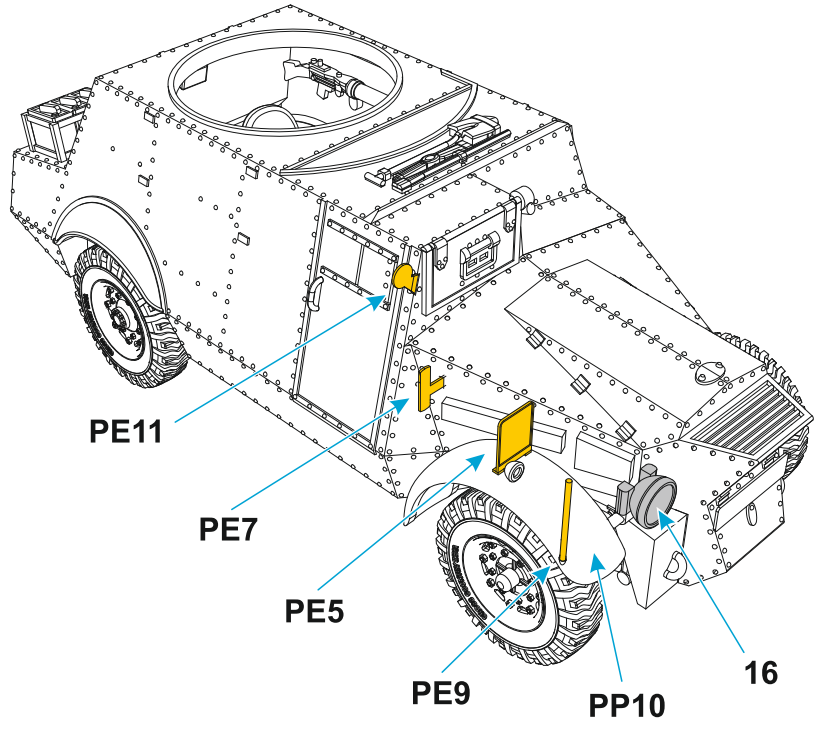


drát / wire
pouze zbarvení A / camo A only

7



6



8

