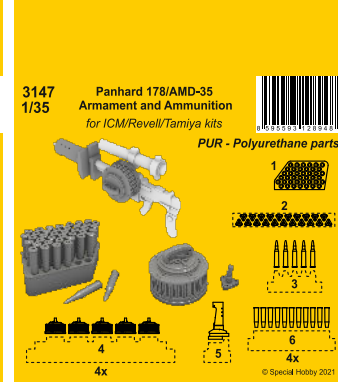
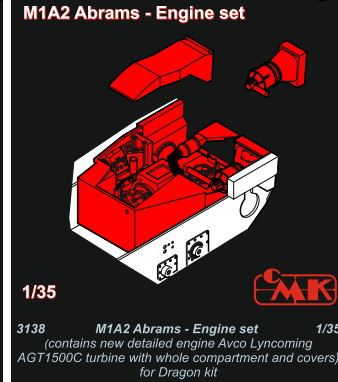
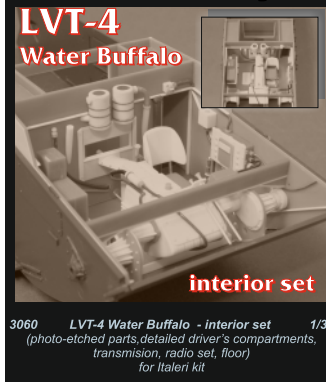


1/35 Resin AFV Sets by Special Hobby



Use this!

H1011 CMK sanding stick four different grit of sanding papers on one sanding stick.



The Razor Saw with Handle (cat. n. H1010) is a great tool for cutting both plastic and resin. CMK also offers a wide variety of coarse/medium/fine saws.

- H1000** Ultra smooth and extra smooth saw (2 sides – 70 teeth / 42 teeth) 1 pc
- H1001** Ultra smooth saw (both sides – 70 teeth / 70 teeth) 1 pc
- H1002** Very smooth saw (both sides – 42 teeth / 42 teeth) 1 pc
- H1003** Smooth saw (both sides – 31 teeth / 31 teeth) 1 pc

- H1004** Ultra smooth and extra smooth saw (2 sides – 70 teeth / 42 teeth) 5 pcs
- H1005** Ultra smooth saw (both sides – 70 teeth / 70 teeth) 5 pcs
- H1006** Very smooth saw (both sides – 42 teeth / 42 teeth) 5 pcs
- H1007** Smooth saw (both sides – 31 teeth / 31 teeth) 5 pcs
- H1010** Razor Saw with Handle



Odlévaný set obsahující 3D tištěné díly a barvené fotolepty
All resin kit contains 3D printed parts and colour P-E fret

6008
1/35

AH-1G Cobra Upgrade Cockpit Set

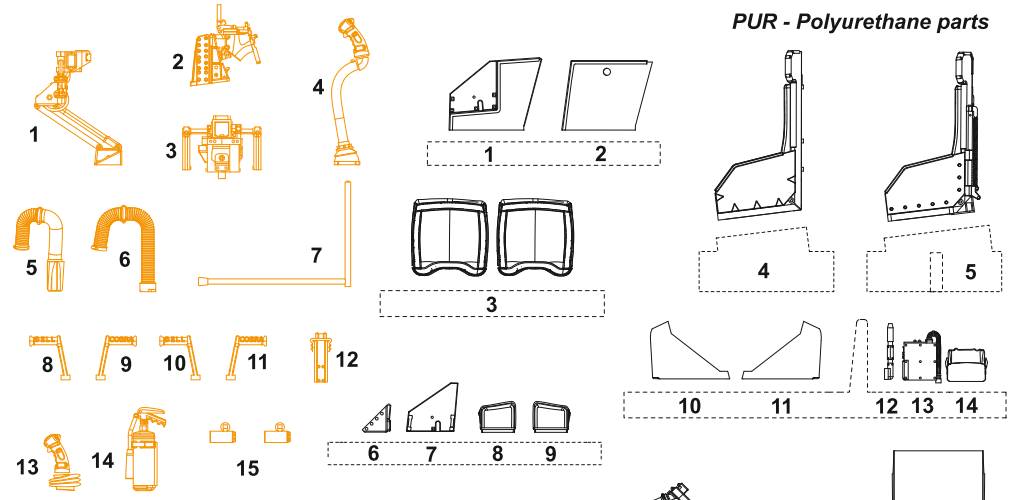
for ICM kits

Visit our official website and e-shop at

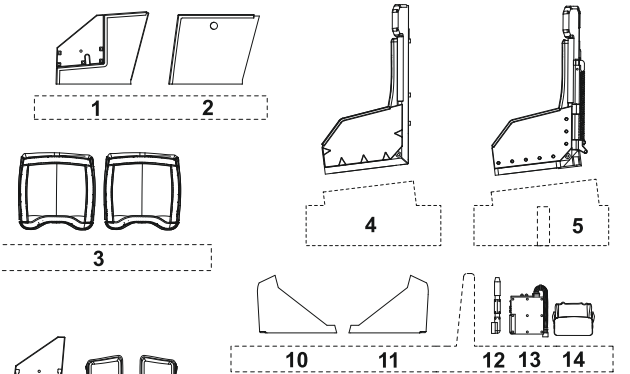
www.cmkkits.com
www.specialhobby.eu

www.facebook.com/specialhobby

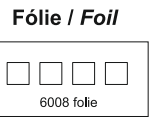
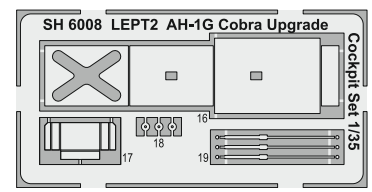
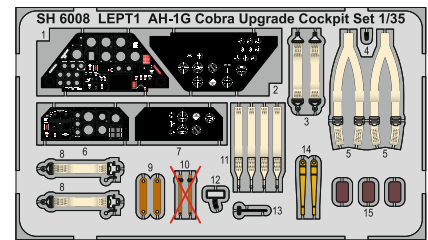
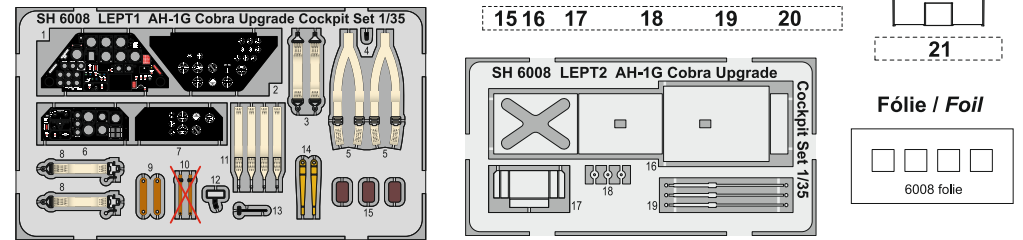
3D-Printed Parts



PUR - Polyurethane parts



PE - Photo-etched parts



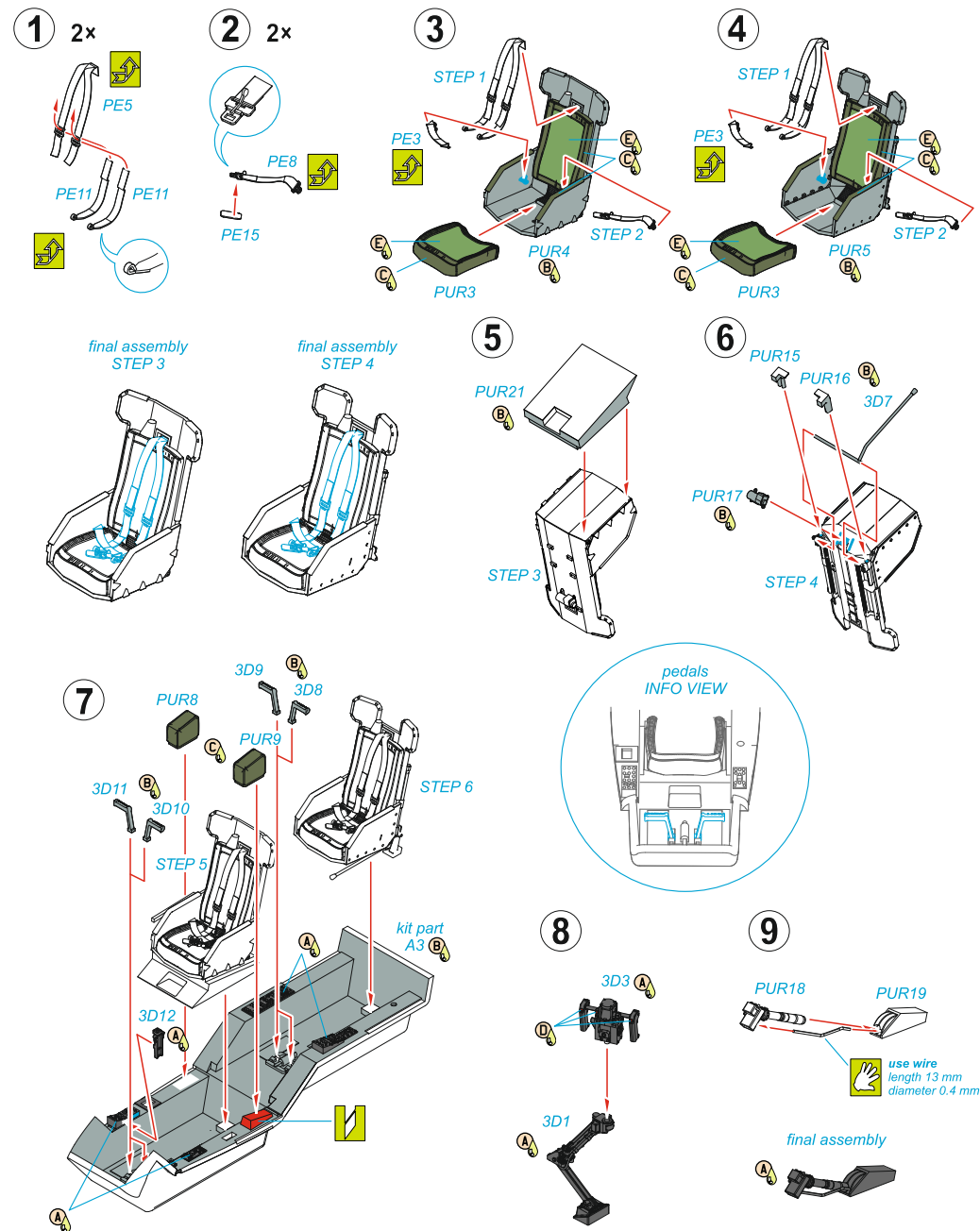
Resinové díly ohnuté popř. pokroucené vlivem teplotních změn a stárnutí materiálu, mohou být narovnány do požadovaného tvaru pomocí proudu teplé vody nebo vzduchu (fén na vlasy). Ohnuté 3D tisky narovnejte ponořením do horké vody, srovnejte je a zchlďte studenou vodou. K lepení použijte kyanoakrylátové lepidlo! Kontaktní plochy doporučujeme před lepením odmastit. Různé drátky a tyčinky nejsou přiloženy.

Parts slightly distorted and bent owing to temperature changes or due to material aging can be straightened to requested shape by hot water or hot air jet (hair dryer). This process can be repeated till result is entirely satisfactory. You can also correct bent 3D printed parts: put them into hot water, straighten them and cool them in cold water. For best result use cyanoacrylate glue! Ungreasing contact areas is recommended before gluing. Wires and rods not included.

MOŽNOST VOLBY OPTIONAL NACH BELIEBEN OPTION	POUŽIT KYANOAKRYLÁTOVÉ LEPIDLO INSTANT CYANOACRYLATE GLUE ZYANOAKRYLÁTLEBER ADHESIF CYANOACRYLAT	OHNOUT BEND BIEGEN COURBER	ZHOTOVIT NOVÉ SCRATCH BUILD FERTIGSTELLEN ACHEVER	ŘEZAT/VRTAT CUT OFF/DRILL ENTFERNEN DETACHER	NATŘÍT COLOUR FARBEN PEINDRE
--	---	-------------------------------------	--	---	---------------------------------------

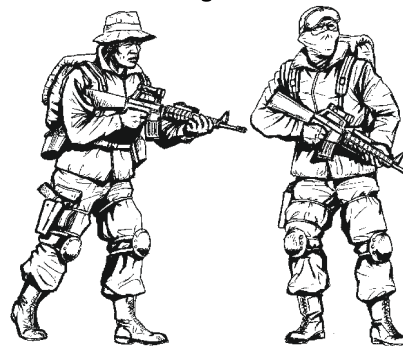
Barvy GUNZE/ GUNZE Colour No.

A Black / černá	H12/C33	E Light Green / světle zelená	H26/C66
B Dk. Gull Gray / tm. raččí šedá	H/C317	F Aluminium / hliník	H/C8
C Olive Green / olivově zelená	H52/C12	G White / bílá	H/C1
D Red / červená	H/C3	H Burnt Metal / opálený kov	H76/C61

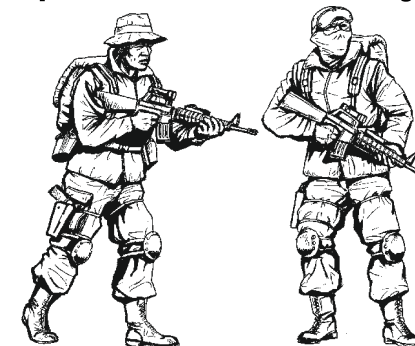


1/35 Resin Figures by Special Hobby

F35193
US NAVY Seals (2 fig.)



F35197
US Special Forces Medics for UH-60 (2 fig.)



F35244
US Marines Sergeant 'Hue City' Vietnam



F35322
Kneeling Soldier (on right knee),
US Army Infantry Squad
2nd Division
for M1126 Stryker



F35323
Kneeling Soldier (on left knee),
US Army Infantry Squad
2nd Division
for M1126 Stryker



F35324
Commanding Officer (standing),
US Army Infantry Squad
2nd Division
for M1126



F35338
American soldier
with M18 57mm Recoilless Rifle
(Bazooka), late WWII / Korean War



1/35 Helicopter Upgrade Sets by Special Hobby

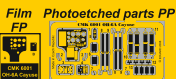
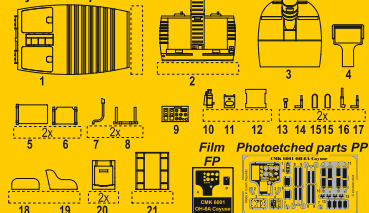
6001
1/35

OH-6A Cayuse
Interior Set
for Dragon/Italeri



Visit an official website and e-shop at
www.cmkkits.com

Polyurethane parts PUR

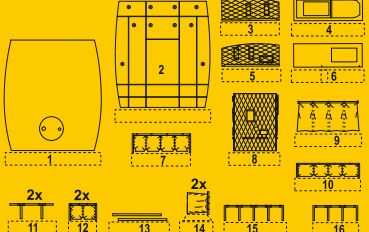


6006
1/35

UH 1D
Cargo Bay Set for Dragon kit



PUR - Polyurethane parts



Díly ohnuté popř., pokroucené vlivem teplotních změn a stárnutí materiálu, mohou být narovnány do požadovaného tvaru pomocí proudu teplé vody nebo vzduchu (fén na vlasy).

Parts slightly distorted and bended owing to temperature changes or due to material ageing can be straightened to requested shape by hot water or hot air jet (hair dryer).
This process can be repeated till result is entirely satisfactory.

K lepení použijte kyanokrylátové lepidlo!
For best result gluing use cyanoacrylate glue!
Kontaktní plochy doporučujeme před lepením odmastit.
Contact areas ungrease is recommended before gluing.

Visit our official website and e-shop at
www.cmkkits.com
www.specialhobby.eu

BARVY / COLORS

HUMBROL

A	Sedá / Grey	140
B	Khaki / Khaki drab	72
C	Hliníková / Aluminium	56

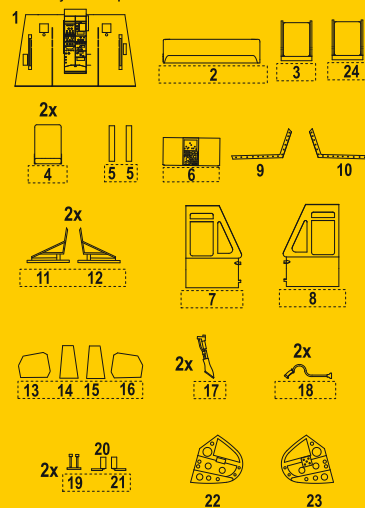
6005
1/35

UH 1D
Interior Set
for Dragon kit



Visit our official website and e-shop at
www.cmkkits.com

PUR - Polyurethane parts



6007
1/35

UH-1D
Nose Luggage Compartment
for Dragon kit



Visit our official website and e-shop at
www.cmkkits.com

Polyurethane parts PUR

