

Our range of sets for the 1/72 Tempest Mk.V (Airfix kits) is extensive. We offer not only P72008 Tempest Mk.V Engine and Fuselage Tanks, but also other sets:

129-F72402 Tempest Pilot, Dog and Mechanic with Accumulator Trolley

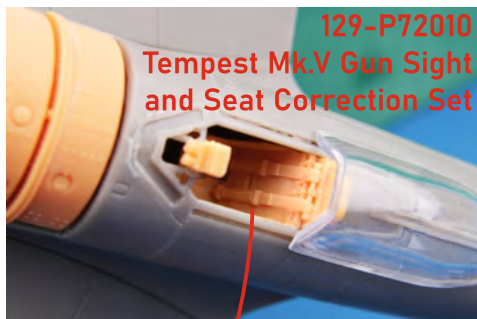
129-P72009 Tempest Mk.V Early Gun Barrels

129-P72010 Tempest Mk.V Gun Sight and Seat Correction Set

129-P72011 Tempest Mk.V Exhausts

129-Q72413 Tempest/Typhoon Early type Wheels

129-Q72414 Tempest Late Type Wheels



129-P72010  
Tempest Mk.V Gun Sight  
and Seat Correction Set

Note:

P72XXX - 3D printed sets

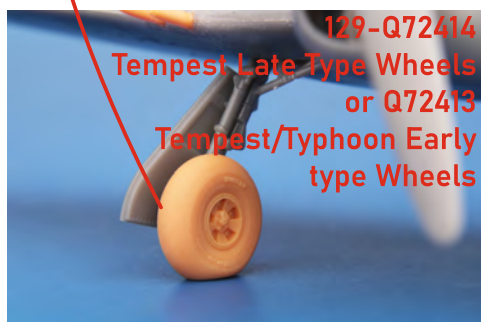
Q72XXX - resin cast set

(printed master)



129-P72011  
Tempest Mk.V Exhausts

F72402 Tempest Pilot, Dog and Mechanic  
with Accumulator Trolley



129-Q72414  
Tempest Late Type Wheels  
or Q72413  
Tempest/Typhoon Early  
type Wheels



129-P72009  
Tempest Mk.V  
Early Gun Barrels



Highly detailed 3D printed set

P72012

1/72

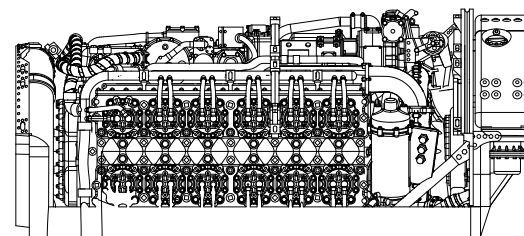
Typhoon Mk.I Engine  
for Airfix kit

Visit our official website and e-shop at

[www.cmkkits.com](http://www.cmkkits.com)  
[www.specialhobby.eu](http://www.specialhobby.eu)

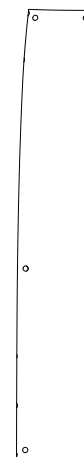
[www.facebook.com/specialhobby](https://www.facebook.com/specialhobby)

### 3D-Printed Parts



PP1

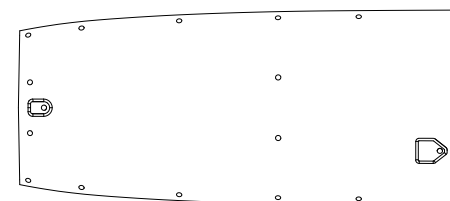
PP5



PP6



PP2



PP3

PP7



PP4



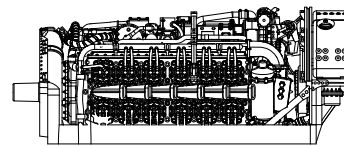
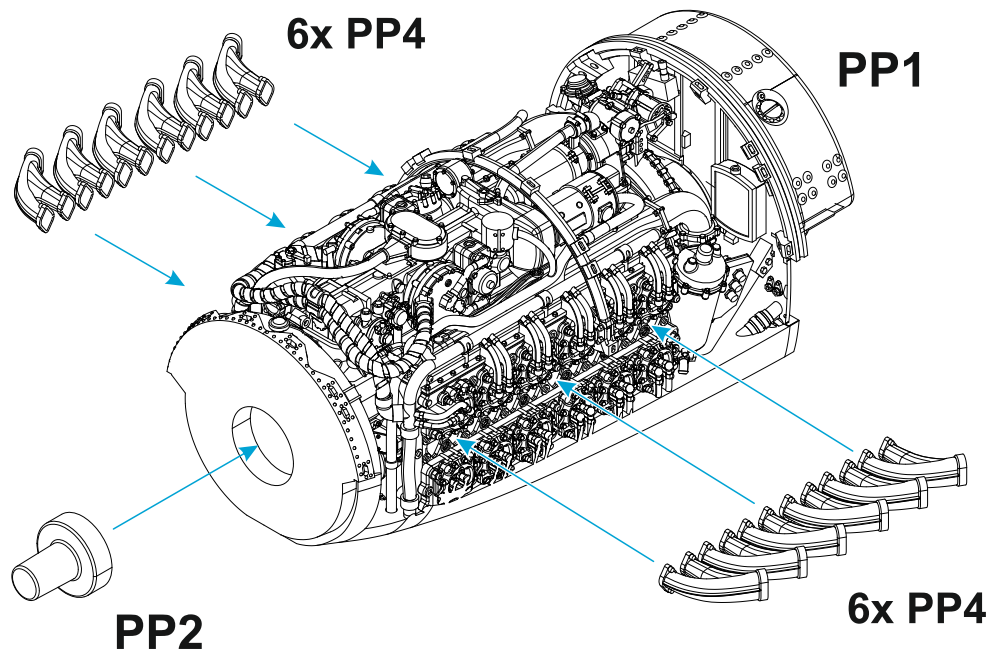
Ohnuté 3D tisky narovnejte ponořením do horké vody, srovnejte je a zchlďte studenou vodou. K lepení použít kyanoakrylátové lepidlo! Kontaktní plochy doporučujeme před lepením odmastit. Různé drátky a tyčinky nejsou přiloženy.

Bent 3D printed parts: put them into hot water, straighten them and cool them in cold water. For best result use cyanoacrylate glue! Ungreasing contact areas is recommended before gluing. Wires and rods not included.

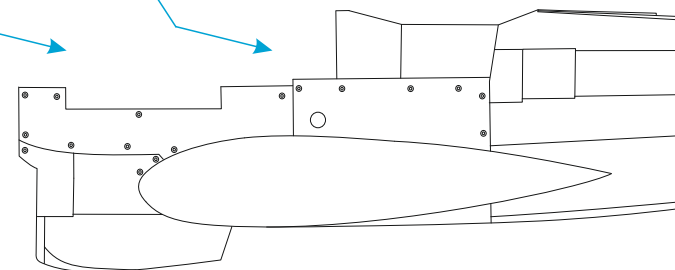
SYMBOLS					
MOŽNOST VOLBY OPTIONAL NACH BELIEBEN OPTION	POUŽÍT KYANOAKRYLÁTOVÉ LEPIDLO INSTANT CYANOACRYLATE GLUE ZYANOAKRYLATKLEBER ADHÉSIF CYANOACRYLAT	OHNOUT BEND BIEGEN COURBER	ZHOTOVIT NOVĚ SCRATCH BUILD FERTIGSTELLEN ACHEVER	ŘEZAT/VRTAT CUT OFF/DRILL ENTFERNEN DETACHER	NATŘÍT COLOUR FARBEN PEINDRE

[www.specialhobby.eu](http://www.specialhobby.eu)

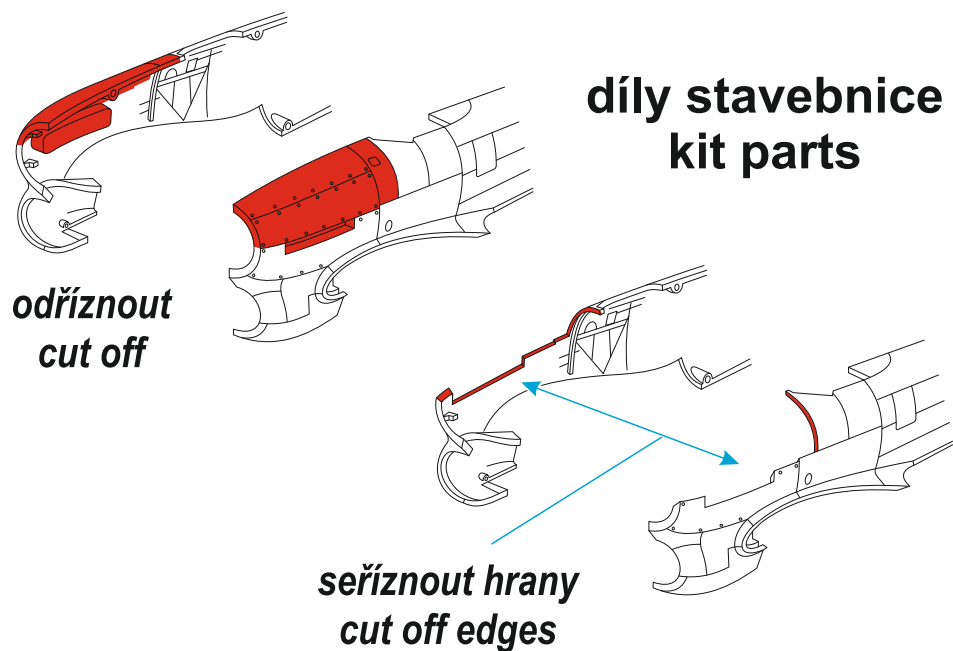
Producer: Special Hobby, Mezilesí 718, 193 00 Praha 9, Czech Republic



kryty (PP3, PP5, PP6 a PP7)  
 položte volně vedle modelu  
*put the covers (PP3, PP5, PP6  
 and PP7) beside the model*



**More 3D printed and resin cast kits  
 from Special Hobby for 1/72 Typhoon  
 (Airfix kit)**



**P72013**



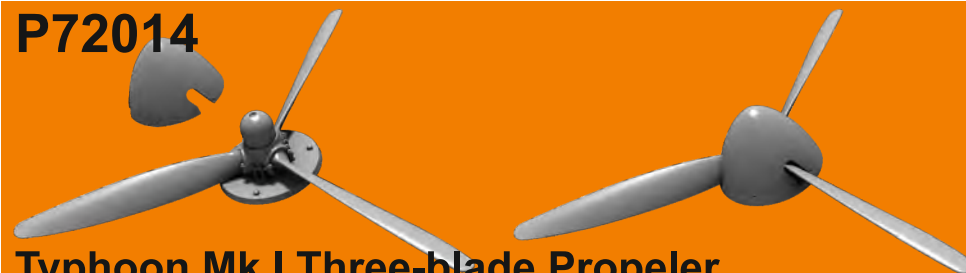
Typhoon Mk.I  
 Gun Sight and Seat  
 Correction Set

**Q72413**



Tempest/Typhoon  
 Early type Wheels

**P72014**



Typhoon Mk.I Three-blade Propeller