

4481 SF-260 Cockpit Centre Console and Seats w/Harness 1/48 for Special Hobby kits



PUR - Polyurethane parts

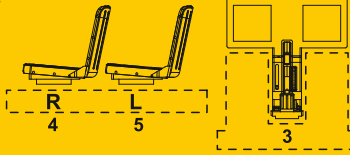
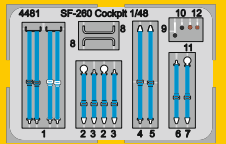


1



2

PE - Photo-etched parts



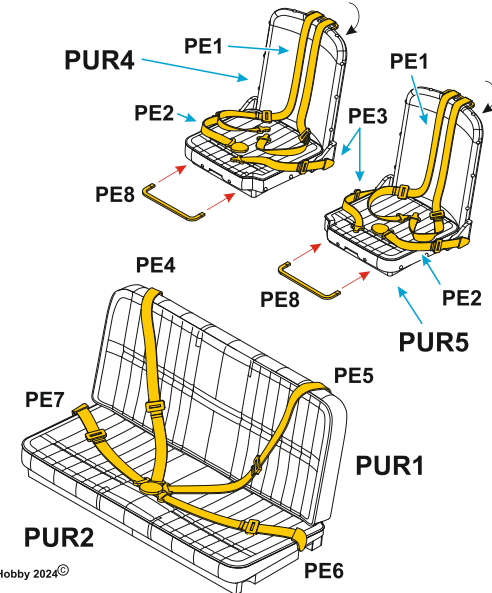
Díly ohnuté popř. pokroucené vlivem teplotních změn a stárnutí materiálu, mohou být narovnaný do požadovaného tvaru pomocí proudu teplé vody nebo vzduchu (fén na vlasy). K lepení použít kyanoakrylátové lepidlo! Kontaktní plochy doporučujeme před lepením odmastit. Různé drátky a tyčinky nejsou přiloženy.

Parts slightly distorted and bent owing to temperature changes or due to material aging can be straightened to requested shape by hot water or hot air jet (hair dryer). This process can be repeated till result is entirely satisfactory. For best result use cyanoacrylate glue! Ungreasing contact areas is recommended before gluing. Wires and rods not included.

Visit our official website and e-shop at www.cmkkits.com www.specialhobby.eu www.facebook.com/specialhobby/

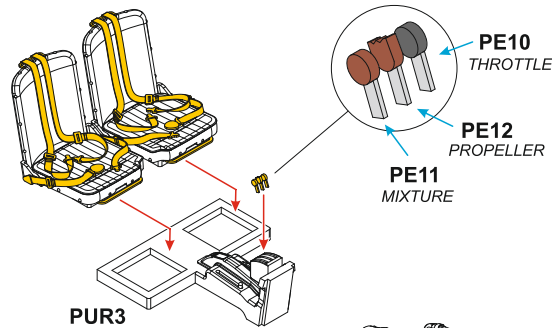
H1020 Razor Saw Profi Set

The set contains one holder, one H1018 Triangle Razor Saw and one H1019 Multi-shift Razor Saw. Attach the razor blade to the holder as shown in the pictures using the plate with holes and screws.



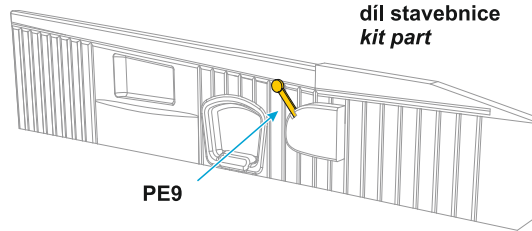
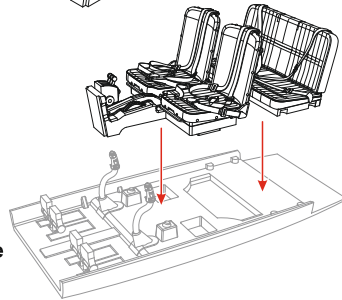
Special Hobby 2024©

Special Hobby, Mezilesí 718, Praha 9, 193 00, Czech Republic
e-mail: office@specialhobby.eu



PUR3

díly stavebnice kit parts



díl stavebnice kit part

Visit our official website and e-shop at www.cmkkits.com www.specialhobby.eu www.facebook.com/specialhobby/

Special Hobby offers for 1/48 SF-260 kit M48024 SF-260M/AM/W INSIDE/OUTSIDE MASK, resin sets 4480 SF-260 Wheels and 4482 SF-260 Exhausts

M48024 SIAI-Marchetti SF-260M/AM/W INSIDE/OUTSIDE MASK

4480 SF-260 Wheels



4482 SF-260 Exhausts

