

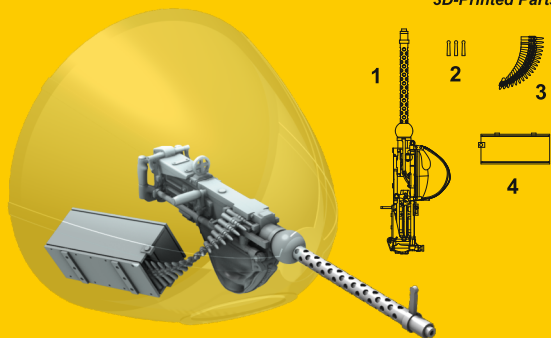
Visit our official website and e-shop at  
[www.cmkkits.com](http://www.cmkkits.com)  
[www.specialhobby.eu](http://www.specialhobby.eu)  
[www.facebook.com/specialhobby/](https://www.facebook.com/specialhobby/)

4484  
 1/48

**B-26B/C Marauder  
 Nose Gun, Ammo  
 Boxes and Feed**  
 for ICM kits



3D-Printed Parts



© Special Hobby 2024

Díly ohnuté popř. pokroucené vlivem teplotních změn a stárnutí materiálu, mohou být narovnané do požadovaného tvaru pomocí proudu teplé vody nebo vzduchu (fén na vlasy). K lepení použít kyanoakrylátové lepidlo! Kontaktní plochy doporučujeme před lepením odmastit. Různé drátky a tyčinky nejsou přiloženy.

*Parts slightly distorted and bent owing to temperature changes or due to material aging can be straightened to requested shape by hot water or hot air jet (hair dryer). This process can be repeated till result is entirely satisfactory. For best result use cyanoacrylate glue! Ungreasing contact areas is recommended before gluing. Wires and rods not included.*

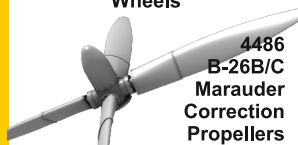
**Special Hobby offers for 1/48 B-26 Marauder kit  
 other resin and 3D printed sets as well**



4483  
 B-26B/C  
 Marauder  
 Undercarriage  
 Wheels



4487  
 B-26B/C  
 Marauder  
 Dorsal  
 Turret  
 Upgrade  
 Set



4486  
 B-26B/C  
 Marauder  
 Correction  
 Propellers



4485  
 B-26B/C Marauder Waist  
 Guns, Ammo Boxes and Feed

Special Hobby, Mezilesí 718, Praha 9, 193 00, Czech Republic  
 e-mail: [office@specialhobby.eu](mailto:office@specialhobby.eu)

