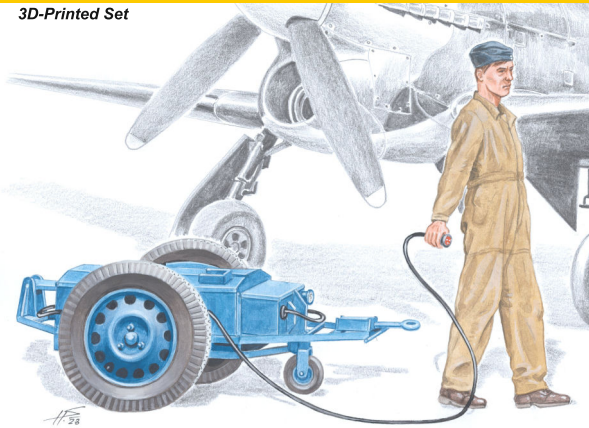


Visit our official website and e-shop at  
[www.cmkkits.com](http://www.cmkkits.com)  
[www.specialhobby.eu](http://www.specialhobby.eu)  
[www.facebook.com/specialhobby/](https://www.facebook.com/specialhobby/)

**F48405 RAF Mechanic with  
 1/48 Accumulator Trolley**



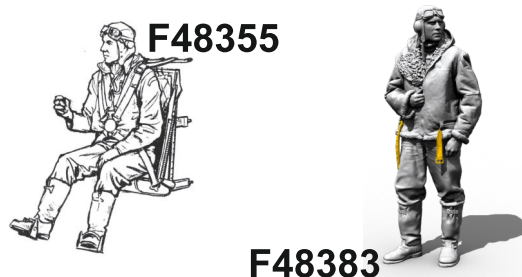
3D-Printed Set



Ohnuté 3D tisky narovnejte ponořením do horké vody, srovnejte je a zchlaďte studenou vodou. K lepení použijte kyanoakrylátové lepidlo! Kontaktní plochy doporučujeme před lepením odmastit. Různé drátky a tyčinky nejsou přiloženy.

*Bent 3D printed parts: put them into hot water, straighten them and cool them in cold water. For best result use cyanoacrylate glue! Ungreasing contact areas is recommended before gluing. Wires and rods not included.*

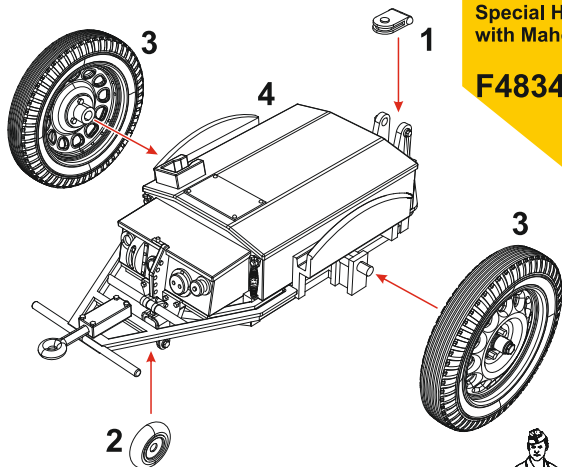
Special Hobby also offers 1/48 figures F48355 Tempest Pilot (seated) and F48383 RAF WWII Fighter Pilot (1942)



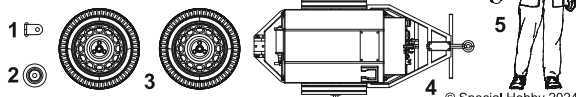
Special Hobby, Mezilesí 718, Praha 9, 193 00, Czech Republic  
 e-mail: [office@specialhobby.eu](mailto:office@specialhobby.eu)

Special Hobby also offers 1/48 WWII RAF Mechanic in India+Elephant with Mahout (2 fig. + elephant)

**F48345**



3D-Printed Parts



© Special Hobby 2024

**drát  
 wire**  
 (není přiložen/not included)

