

P72035
1/72

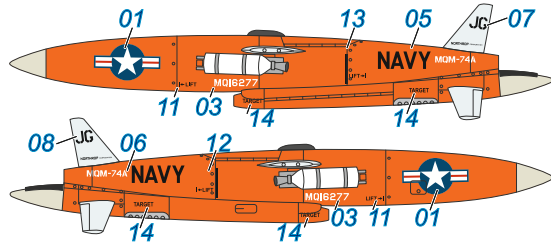
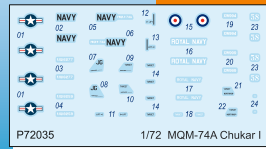
**MQM-74A
Chukar
Target Drone**



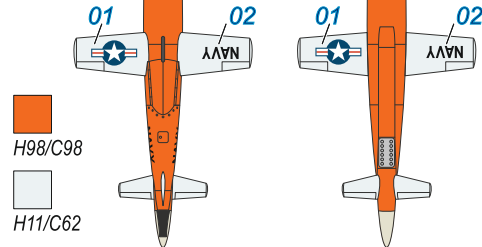
Contains:
3D-printed parts ...



... and decals
for US Navy, Royal Navy
and IDF/AF drones



A) US.Navy,
Fleet Training Centre
Dam Neck,
Virginia, USA, 1971

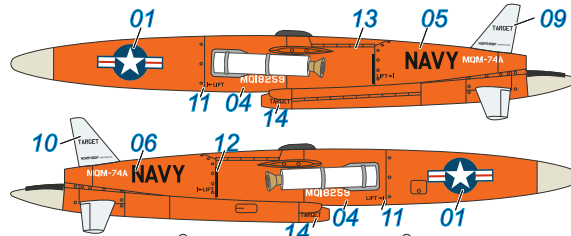
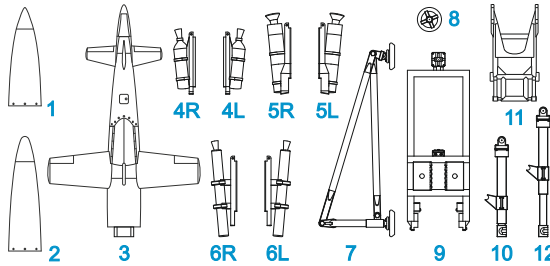


Ohnuté 3D tisky narovnejte ponořením do horké vody, srovnejte je a zchladte studenou vodou. K lepení použít kyanoakrylátové lepidlo! Kontaktní plochy doporučujeme před lepením odmastit. Různé drátky a tyčinky nejsou přiloženy.

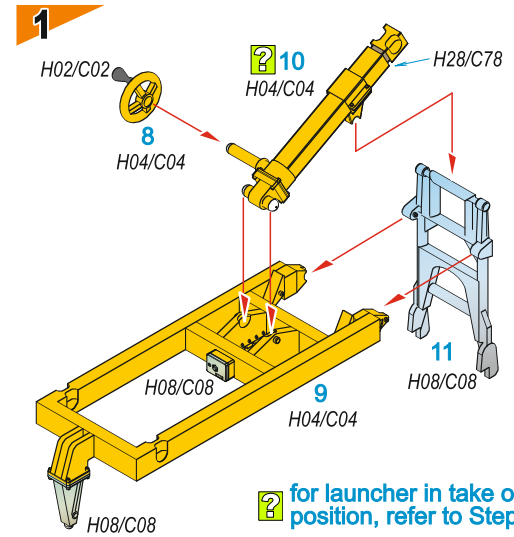
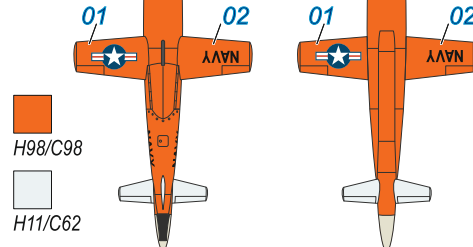
Bent 3D printed parts: put them into hot water, straighten them and cool them in cold water. For best result use cyanoacrylate glue! Ungreasing contact areas is recommended before gluing. Wires and rods not included.



www.cmkkits.com
www.specialhobby.eu
www.facebook.com/specialhobby/



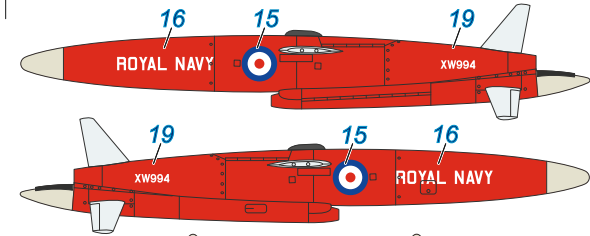
B) US.Navy,
Threat Simulation
Department,
1970s



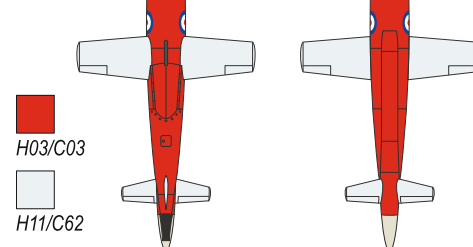
? for launcher in take off position, refer to Step 4

Special Hobby 2024

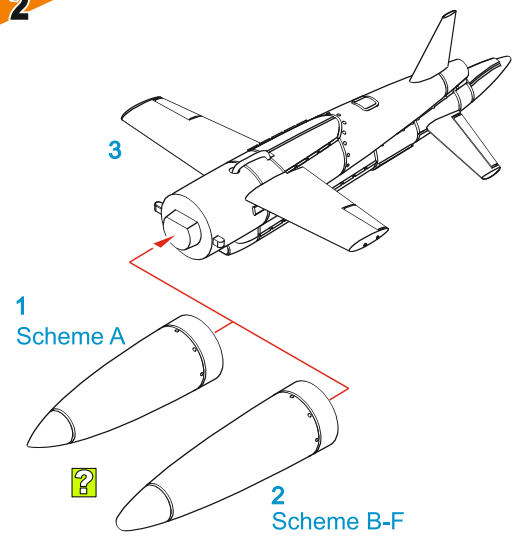
Special Hobby, Mezilesi 718, CZ - Praha 9, 193 00, e-mail: office@specialhobby.eu



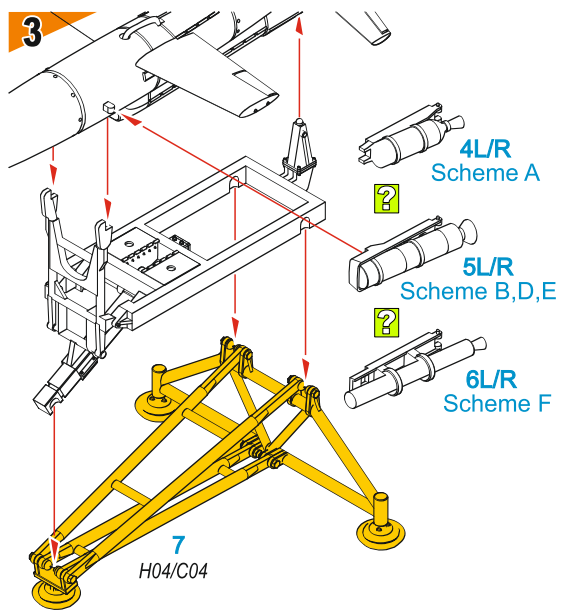
C) FAA Museum,
Yeovilton, UK
present days



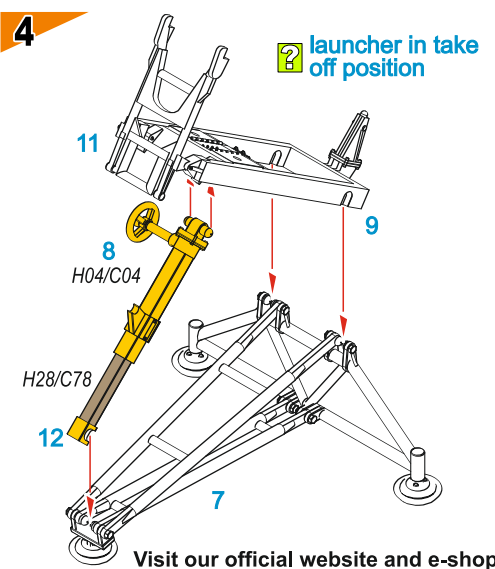
2



3

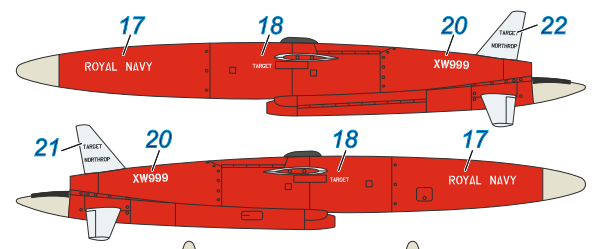


4



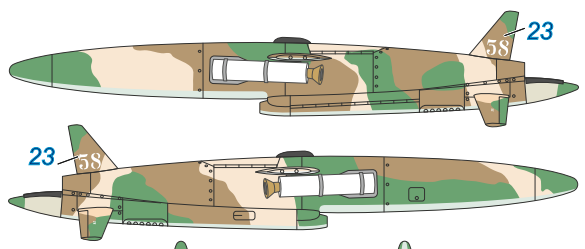
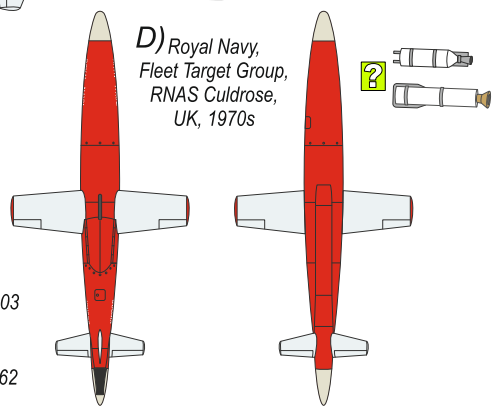
? launcher in take off position

Visit our official website and e-shop at
www.cmkkits.com
www.specialhobby.eu
www.facebook.com/specialhobby/







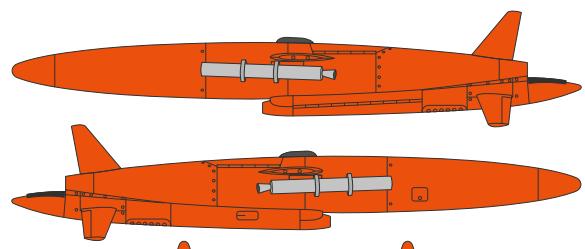
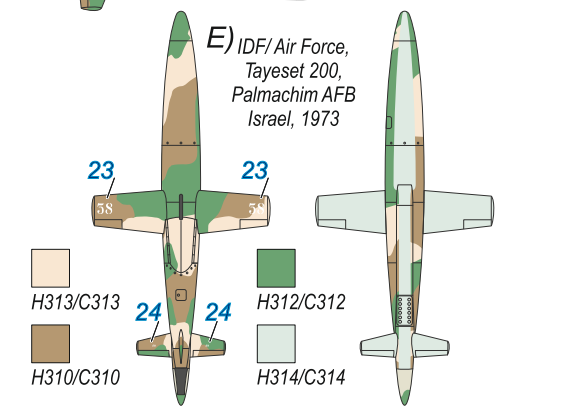
D) Royal Navy,
Fleet Target Group,
RNAS Culdrose,
UK, 1970s

 H03/C03
 H11/C62



E) IDF/ Air Force,
Tayeset 200,
Palmachim AFB
Israel, 1973

 H313/C313
 H310/C310
 H312/C312
 H314/C314



F) IDF/ Air Force,
Tayeset 200,
Palmachim AFB
Israel, 1980s

H03/C03

