

Special Hobby also offer in 1/48 scale

1/48 Special HOBBY



AH-1G
COBRA

'Over Vietnam
with M-35
Gun System'

Hi-Tech kit



SH48230

Hi-Tech release contains also these extra parts:



more at www.specialhobby.eu



3D tištěná stavebnice doplněná obtisky.
3D-printed kit with a sheet of decals.

P48024

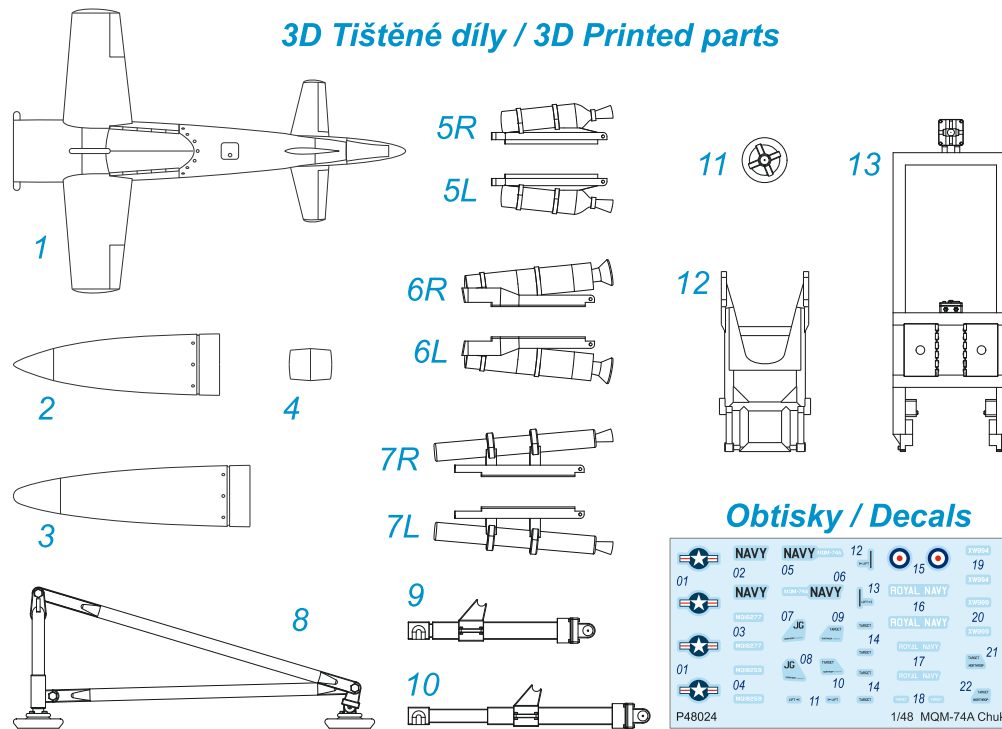
1/48

MQM-74A Chukar Target Drone

Visit our official website and e-shop at www.specialhobby.eu

www.facebook.com/specialhobby

3D Tištěné díly / 3D Printed parts



Obtisky / Decals



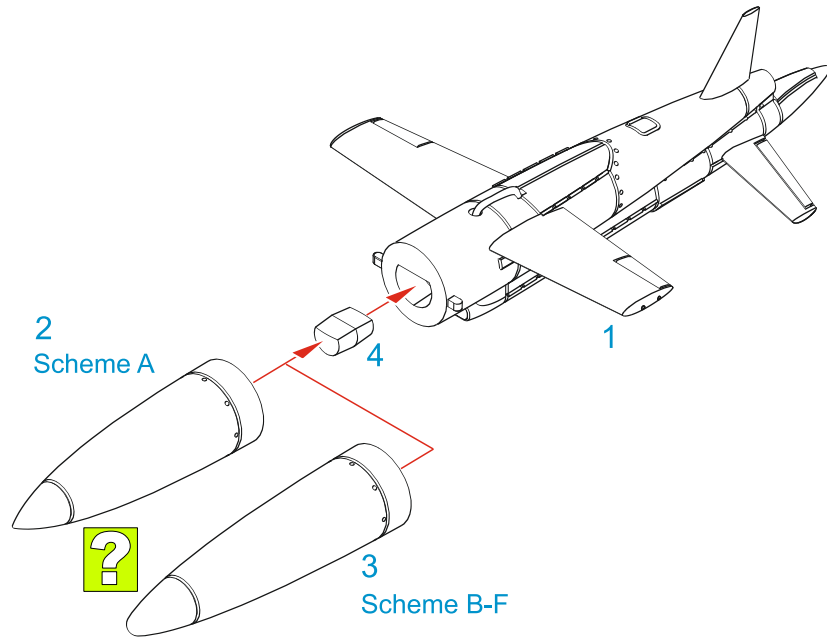
Resinové díly ohnuté popř. pokroucené vlivem teplotních změn a stárnutí materiálu, mohou být narovnaný do požadovaného tvaru pomocí proudu teplé vody nebo vzduchu (fén na vlasy). Ohnuté 3D tisky narovnejte ponořením do horké vody, srovnejte je a zchladte studenou vodou. K lepení použít kyanoakrylátové lepidlo! Kontaktní plochy doporučujeme před lepením odmastit. Různé drátky a tyčinky nejsou přiloženy.

Parts slightly distorted and bent owing to temperature changes or due to material aging can be straightened to requested shape by hot water or hot air jet (hair dryer). This process can be repeated till result is entirely satisfactory. You can also correct bent 3D printed parts: put them into hot water, straighten them and cool them in cold water. For best result use cyanoacrylate glue! Ungreasing contact areas is recommended before gluing. Wires and rods not included.

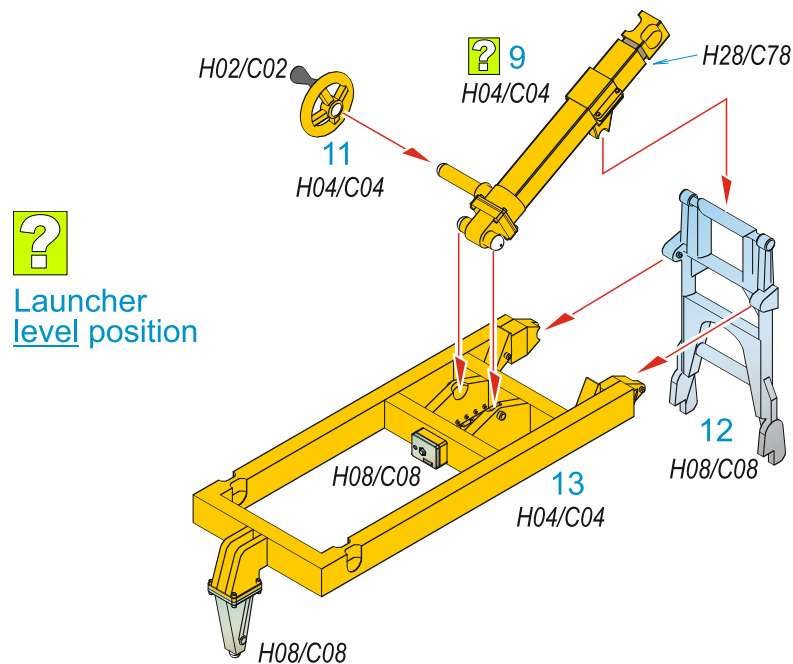
SYMBOLS					
	MOŽNOST VOLBY OPTIONAL NACH BELIEBEN OPTION		POUŽIT KYANOAKRYLÁTOVÉ LEPIDLO INSTANT CYANOACRYLATE GLUE ZYANOAKRYLÁTKLEBER ADHESIF CYANOACRYLAT		OHNOUT BEND BIEGEN COURBER
	ZHOTOVIT NOVÉ SCRATCH BUILD FERTIGSTELLEN ACHEVER		ŘEZAT/VRTAT CUT OFF/DRILL ENTFERNEN DETACHER		NATŘÍT COLOUR FARBEN PEINDRE

Producer: Special Hobby, Mezilesí 718, 193 00 Praha 9, Czech Republic

1



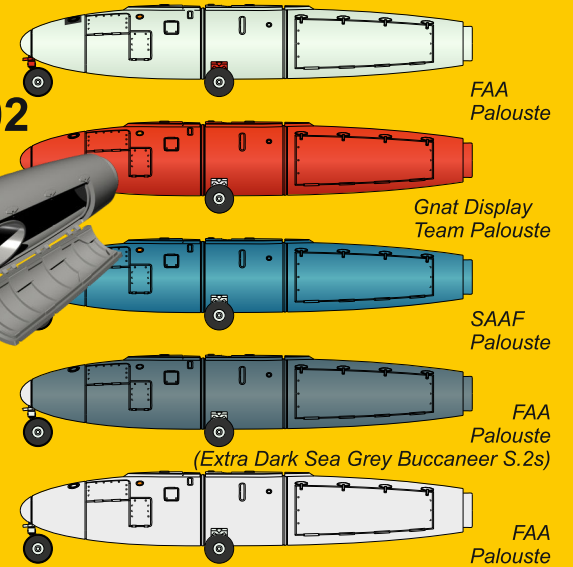
2



Special Hobby also offer in 1/48 scale

CMK 4368 Palouste Mk.101/102

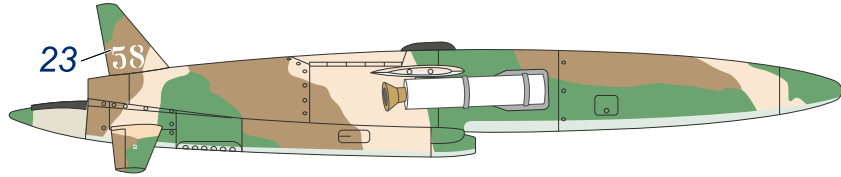
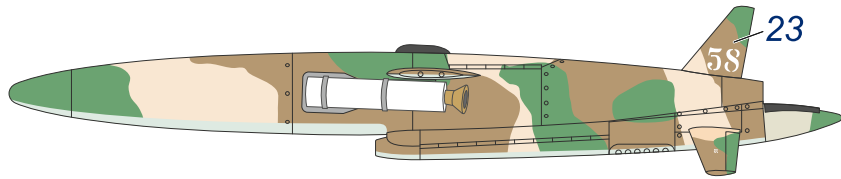
'Jet Air Starter Trolleys and Airborne Pod'



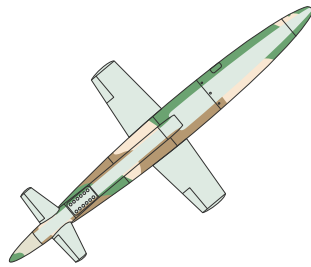
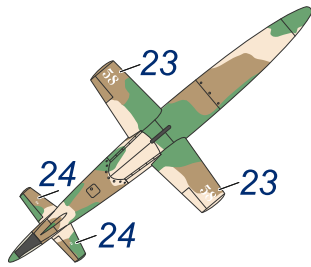
and other cast or printed kits and sets

more at www.specialhobby.eu

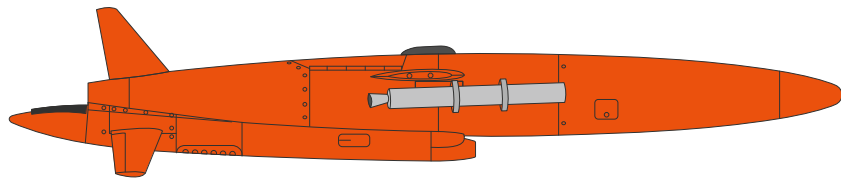
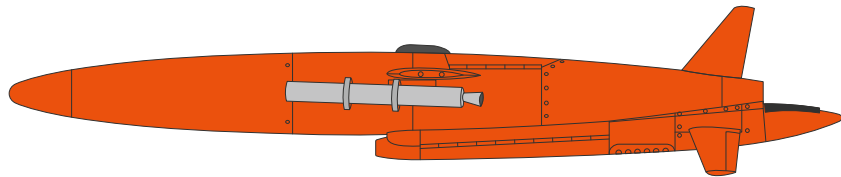
Scheme E IDF/Air Force, Tayeset 200, Palmachim AFB, Israel, 1973



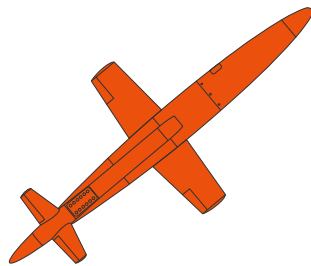
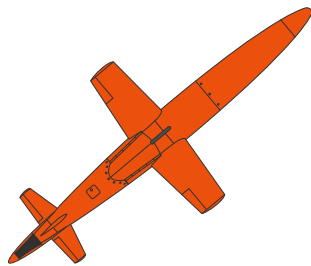
- H313/C313
- H310/C310
- H312/C312
- H314/C314



Scheme F IDF/Air Force, Tayeset 200, Palmachim AFB, Israel, 1980s



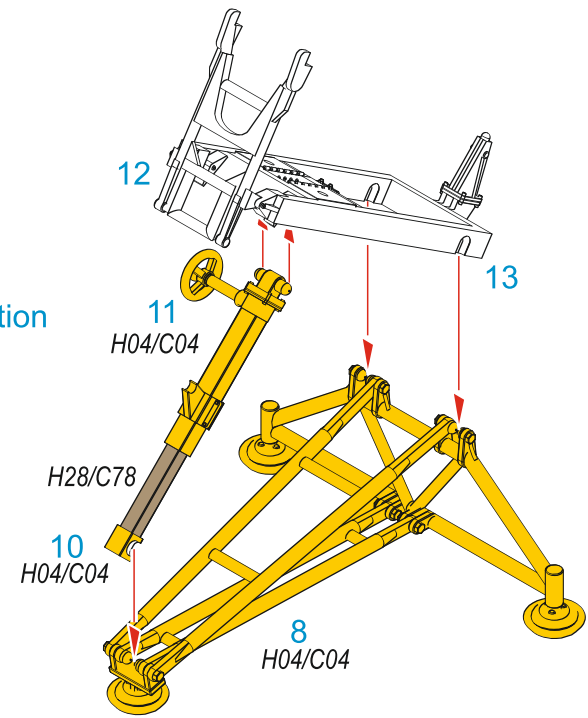
- H03/C03



3

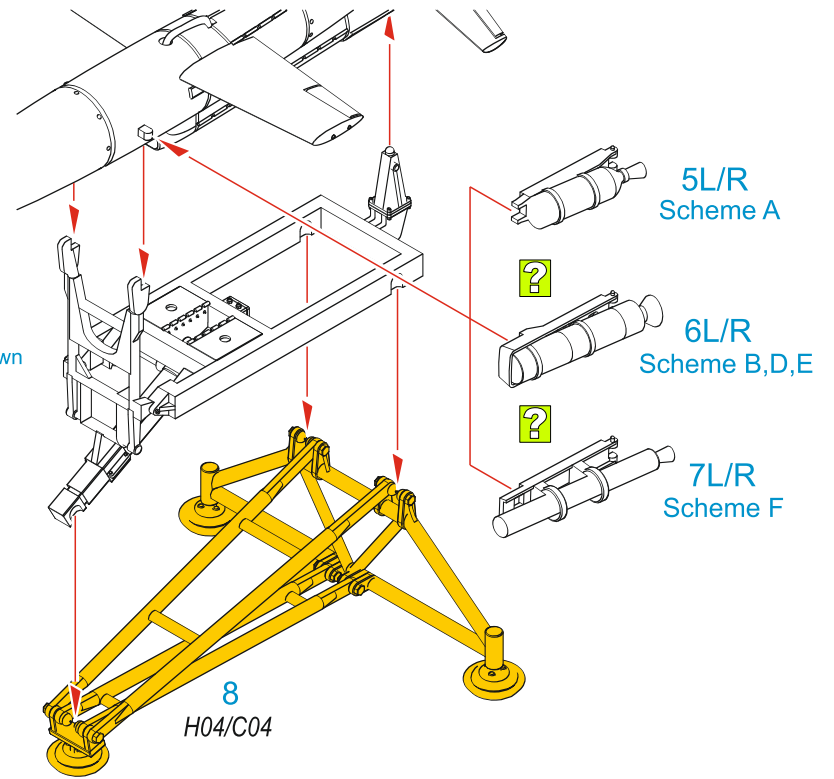


Launcher
take off position

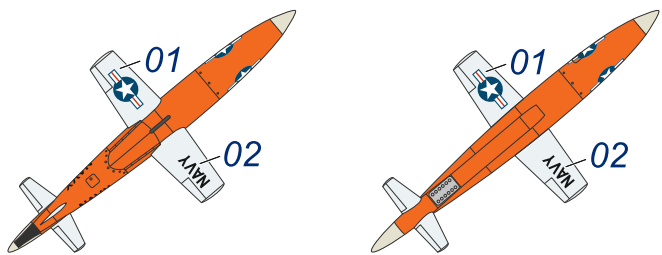
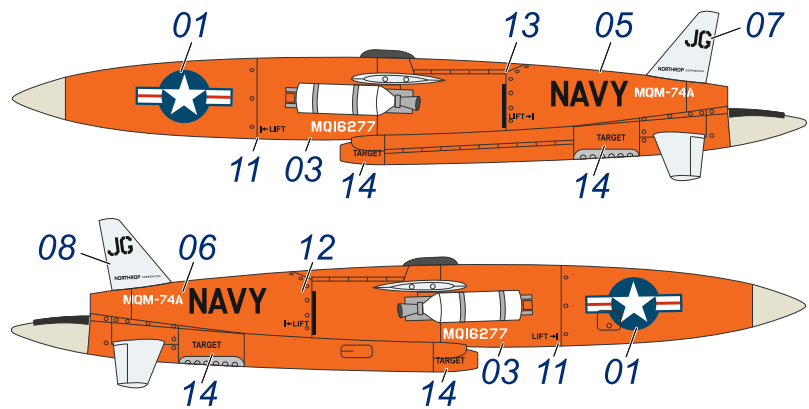


4

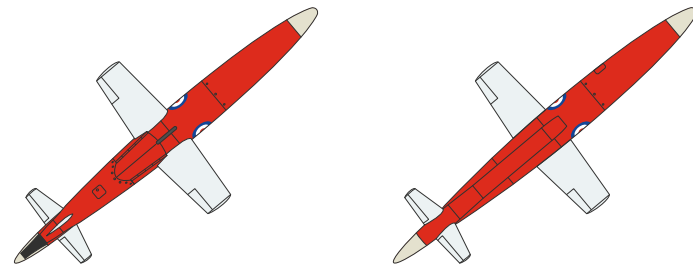
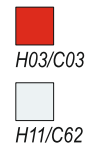
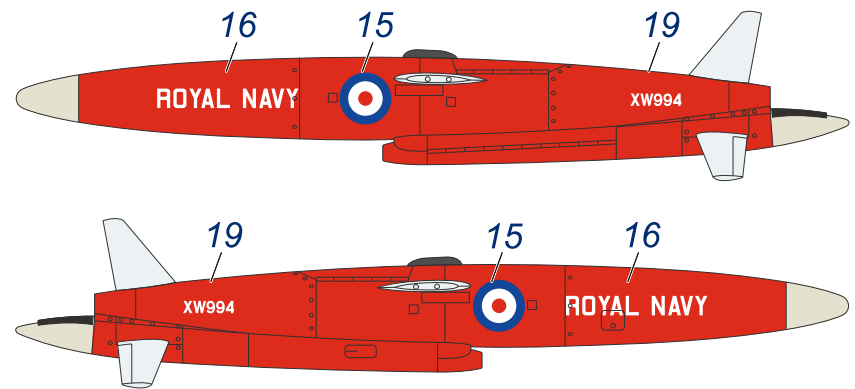
(launcher shown
here only in
level position)



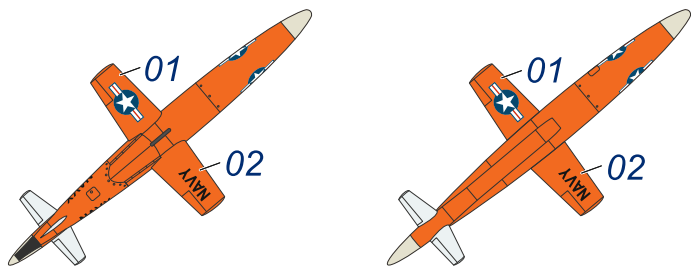
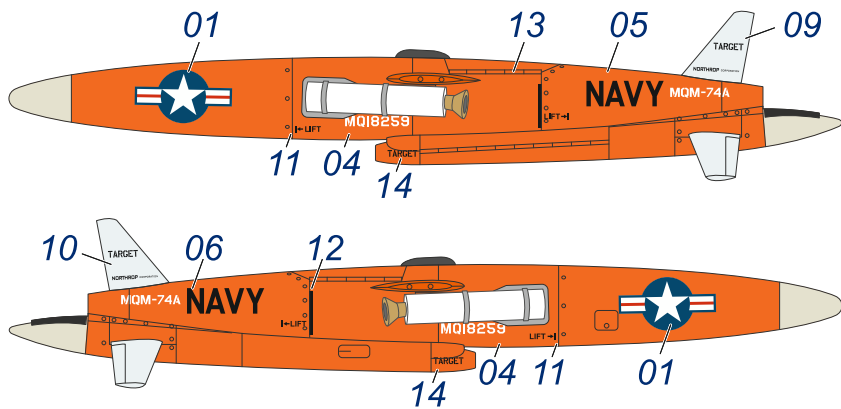
Scheme A US.Navy, Fleet Training Centre Dam Neck, Virginia, USA, 1971



Scheme C FAA Museum, Yeovilton, UK, present days



Scheme B US.Navy, Threat Simulation Department, 1970s



Scheme D Royal Navy, Fleet Target Group, RNAS Culdrose, UK, 1970s

