

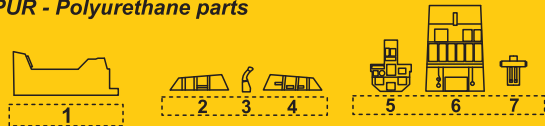
7475
1/72

F-18E Cockpit

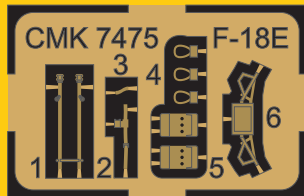
for Academy kit



PUR - Polyurethane parts



PE - Photo-etched parts



Film



© Special Hobby 2022

Díly ohnuté popř. pokroucené vlivem teplotních změn a stárnutí materiálu, mohou být narovnány do požadovaného tvaru pomocí proudu teplé vody nebo vzduchu (fén na vlasy). K lepení použít kyanoakrylátové lepidlo! Kontaktní plochy doporučujeme před lepením odmastit. Různé drátky a tyčinky nejsou přiloženy.

Parts slightly distorted and bent owing to temperature changes or due to material ageing can be straightened to requested shape by hot water or hot air jet (hair dryer). This process can be repeated till result is entirely satisfactory. For best result use cyanoacrylate glue! Contact areas ungrease is recommended before gluing. Wires and rods not included.

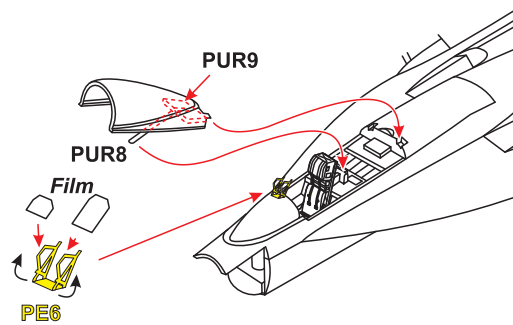
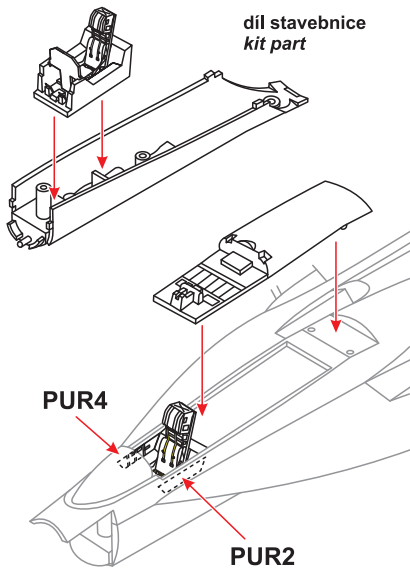
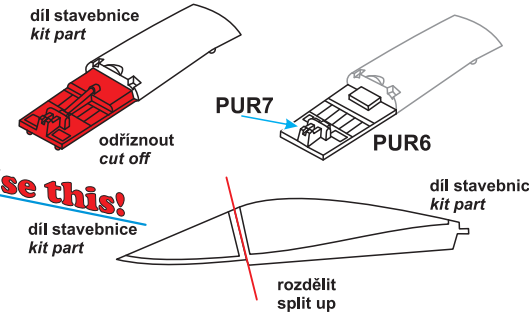
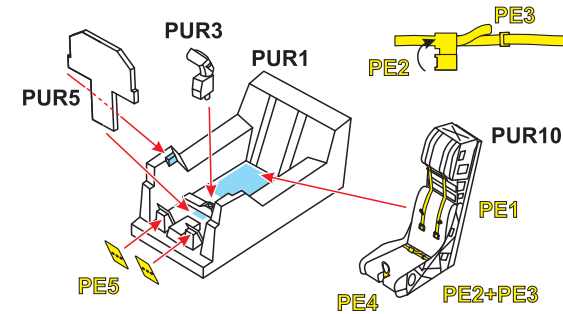
Visit our official website and e-shop at
www.cmkkits.com
www.specialhobby.eu
www.facebook.com/specialhobby/



CMK H1010

The Razor Saw with Handle (cat. n. H1010) is a great tool for cutting both plastic and resin. CMK also offers a wide variety of coarse / medium / fine saws.

Special Hobby, Mezilesí 718, Praha 9, 193 00, Czech Republic
 e-mail: office@specialhobby.eu



Other 1/72 F-18E/F Hornet sets (Academy kit) by CMK line:

129-7476
F-18E Hornet
Gun Bay

129-7477
F-18E/F Hornet
Control Surfaces

you can find these and other sets at www.specialhobby.eu

