

**Q72375 Reggiane Re 2005
1/72 Main Wheels**

for Sword and other kits



PUR
- Polyurethane parts



**PUR1
2x**



© Special Hobby 2020

Díly ohnuté popř. pokroucené vlivem teplotních změn a stárnutí materiálu, mohou být narovnané do požadovaného tvaru pomocí proudu teplé vody nebo vzduchu (fén na vlasy).

Parts slightly distorted and bent owing to temperature changes or due to material ageing can be straightened to requested shape by hot water or hot air jet. (hair dryer)

This process can be repeated till result is entirely satisfactory.

*K lepení použít kyanoakrylátové lepidlo!
For best result gluing use cyanoacrylate glue!*

*Kontaktní plochy doporučujeme před lepením odmastit
Contact areas ungrease is recommended before gluing.*

Visit our official website and e-shop at

www.cmkkits.com

www.specialhobby.eu

www.facebook.com/specialhobby/

Other 1/72 Quick&Easy CMK sets

Q72363 Martin-Baker Mk.6 Ejection Seat / for SMB-2 (FAH) and others

Q72362 Heinkel He 162A Wheels for SH kit

Q72361 Heinkel He 162A Ejection Seat for SH kit

Q72360 Supermarine Swift Ejection Seat (M.B. Mk.2) for Airfix kit

Q72359 A-20 Havoc/Boston Wing Racks and Bombs for SH kit

Q72355 AJ/SK/SH-37 Viggen Control Surface for SH kit

Q72351 Bf 109G-6 Wheel set (smooth and ribbed tyres) for Tamiya kit

Q72350 IAF Fouga Magister rocket pods for SH kit

Special Hobby, Mezilesí 718, Praha 9, 193 00, Czech Republic
e-mail: office@specialhobby.eu

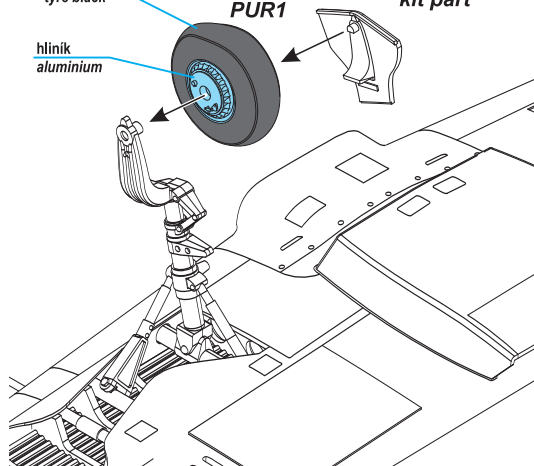
PUR1 symetrická montáž
symetrical assembly

barva pneu
tyre black

hliník
aluminium

PUR1

díl stavebnice
kit part



1/72 Italian planes offered by Special Hobby



**SH72307
Caproni Ca.311**

**SH72309
Caproni Ca.311M „Italian
Adventure in Russia“**



**SH72397
Breda Ba.88B Lince**

www.specialhobby.eu