

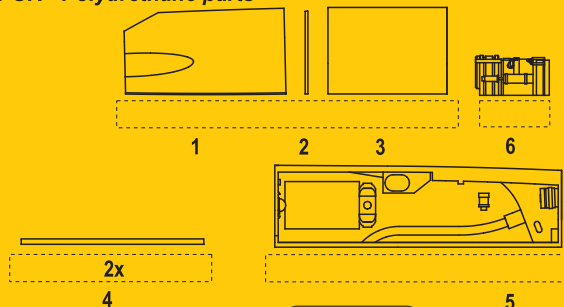
4405

1/48

**F-104G/J
Port Side
Cannon Installation**
for Kinetic kit



PUR - Polyurethane parts



PP - Photo-etched parts



Díly ohnuté popř. pokroucené vlivem teplotních změn a stárnutí materiálu, mohou být narovnaný do požadovaného tvaru pomocí proudu teplé vody nebo vzduchu (fén na vlasy).

Parts slightly distorted and bent owing to temperature changes or due to material ageing can be straightened to requested shape by hot water or hot air jet. (hair dryer)

This process can be repeated till result is entirely satisfactory.

K lepení použít kyanoakrylátové lepidlo!

For best result gluing use cyanoacrylate glue!

Kontaktní plochy doporučujeme před lepením odmastit

Contact areas ungrease is recommended before gluing.

Visit our official website and e-shop at

www.cmkkits.com

www.specialhobby.eu

www.facebook.com/specialhobby/



OTHER SETS / OSTATNÍ SETY 1/48

- 4404 F-104G/S Starfighter Cockpit + MB.7 Ejection Seat for Kinetic kit
- 4403 F-104G/J Starfighter Cockpit + C2 Ejection Seat for Kinetic kit
- 4402 Hawker Hunter F.58A Flaps Correction Set for Airfix kit
- 4401 F-104 Engine set for Kinetic kit
- 4392 Hawker Hunter F.6 Wheels for Airfix kit
- 4390 Hawker Hunter F.6A/FGA.9 Flaps Correction Set for Airfix kit
- 4389 Hawker Hunter F.6 Flaps Correction Set for Airfix kit

Special Hobby, Mezilesí 718, Praha 9, 193 00, Czech Republic
e-mail: office@specialhobby.eu

