



1/72 MV127



Zetor 15
'Czechoslovak Tractor' ALL RESIN KIT



1/72 SA72022 **special ARMOUR**

Sd.An 115 Flatbed Trailer
(Tank Transport) PLASTIC KIT



1/72 B72104
Sd.An 115 Wheels
RESIN SETS



1/72 SA72019 **special ARMOUR**

Sd.Kfz 250/1 Ausf.A
(Alte Ausführung) PLASTIC KIT



1/72 SA72021 **special ARMOUR**

Sd.Kfz 10 Zugkraftwagen 1t
(Demag D7) PLASTIC KIT



1/72 SA72012
Meiwwagen "V-2 Transporter"



1/72 SA72001
SS-100 Gigant Schwerer Radschlepper / Heavy Tractor



1/72 B72100
Meiwwagen "V-2 Transporter" Wheels Set
for Special Armour kit



1/72 B72094
SS-100 Gigant Wheels
for Special Armour kit



1/72 B72102
Biber Trailer Wheels
for Special Armour kit



facebook.com/specialhobby

WWW.SPECIALHOBBY.EU | WWW.CMKKITS.COM



Odlévaný model / All resin kit

MV125
1/72

15 cm TbtSK C/36
'WWII German Destroyer Gun'

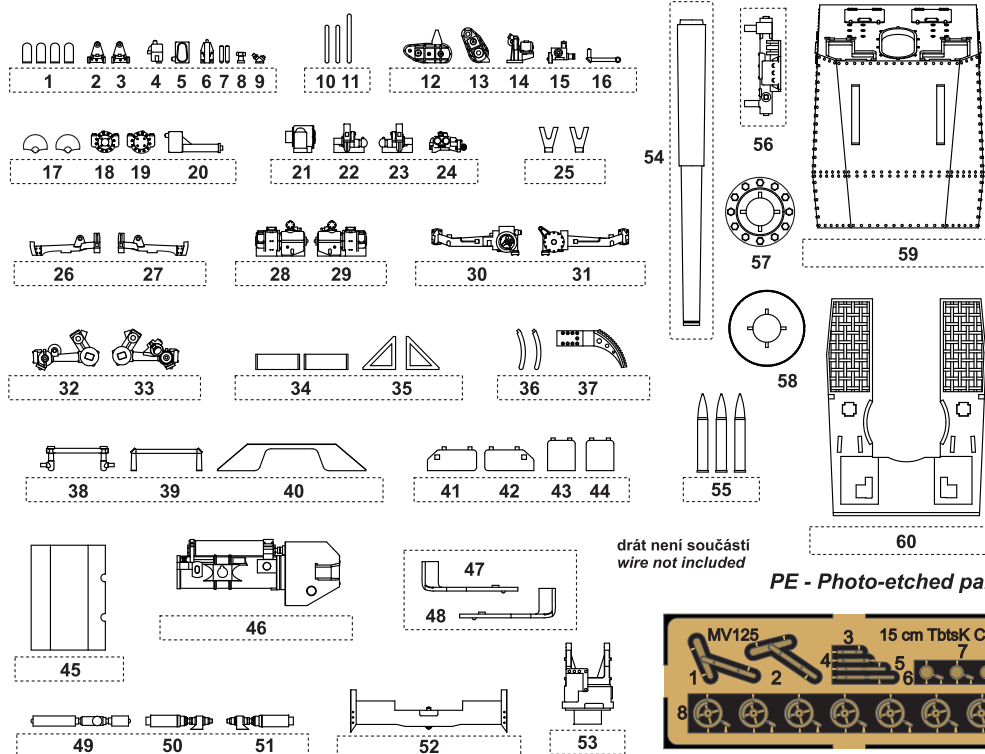
Visit our official website and e-shop at

www.cmkkits.com
www.specialhobby.eu



www.facebook.com/specialhobby

PUR - Polyurethane parts



drát není součástí
wire not included

PE - Photo-etched parts

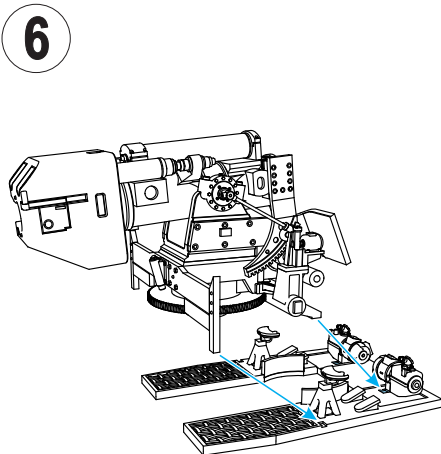
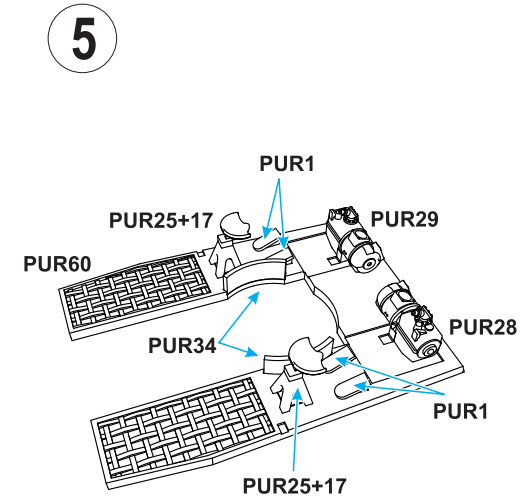
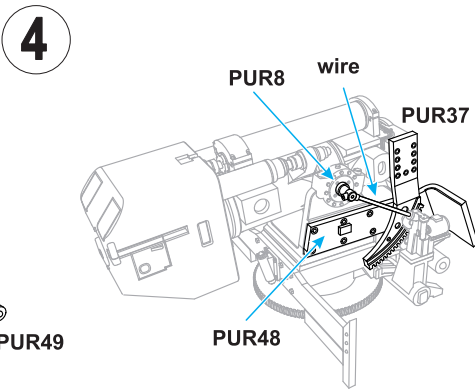
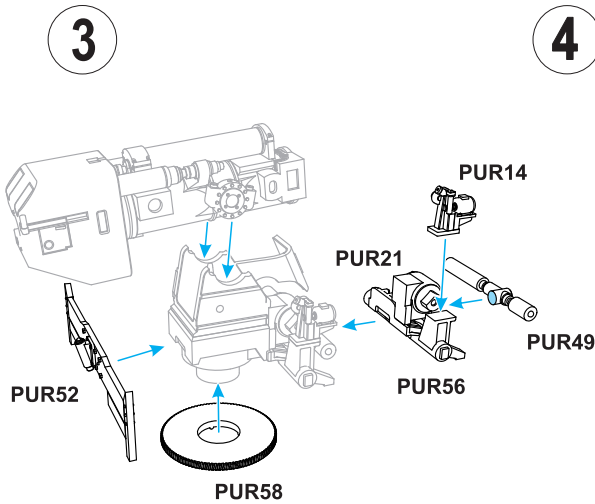
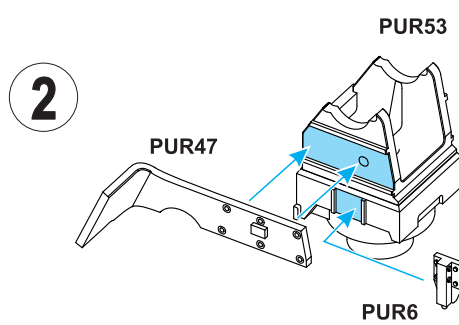
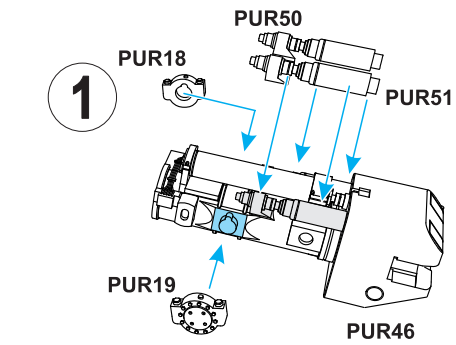
Díly ohnuté popř. pokroucené vlivem teplotních změn a stárnutí materiálu, mohou být narovnány do požadovaného tvaru pomocí proudu teplé vody nebo vzduchu (fén na vlasy). Různé drátky a tyčky nejsou přiloženy. Kontaktní plochy doporučujeme před lepením odmastit.

Parts slightly distorted and bent owing to temperature changes or due to material ageing can be straightened to requested shape by hot water or hot air jet (hair dryer). This process can be repeated till result is entirely satisfactory. Wires and rods not included. It is recommended to remove grease from contact areas

K lepení použít kyanoakrylátové lepidlo / For best gluing results use cyanoacrylate glue!

SYMBOLS					
	MOŽNOST VOLBY OPTIONAL NACH BELIEBEN OPTION		POUŽÍŤ KYANOAKRYLÁTOVÉ LEPIDLO INSTANT CYANOACRYLATE GLUE ZYANOAKRYLÁTKLEBER ADHESIF CYANOACRYLAT		OHNOUT BEND BIEGEN COURBER
	ZHOTOVIT NOVĚ SCRATCH BUILD FERTIGSTELLEN ACHEVER		ŘEZAT/VRTAT CUT OFF/DRILL ENTFERNEN DETACHER		NATŘÍT COLOUR FARBEN PEINDRE

Producer: Special Hobby, Mezilesí 718, 193 00 Praha 9, Czech Republic

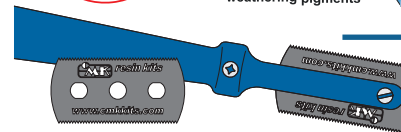


Special HOBBY

Special Hobby recommends to combine the MV125 kit with the resin set N72038 German Kriegsmarine Life Raft / Rettungsfluss. Life rafts were attached to one or both sides of the gun turrets.

Use this!

Star Dust
weathering pigments



The Razor Saw with Handle (cat. n. H1010) is a great tool for cutting both plastic and resin. CMK also offers a wide variety of coarse/medium/fine saws.

H1000 Ultra smooth and extra smooth saw (2 sides – 70 teeth / 42 teeth) 1 pc

H1001 Ultra smooth saw (both sides – 70 teeth / 70 teeth) 1 pc

H1002 Very smooth saw (both sides – 42 teeth / 42 teeth) 1 pc

H1003 Smooth saw (both sides – 31 teeth / 31 teeth) 1 pc

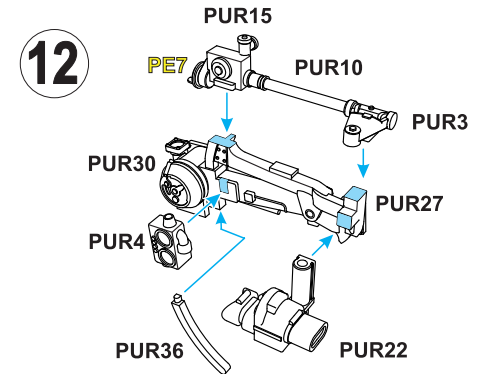
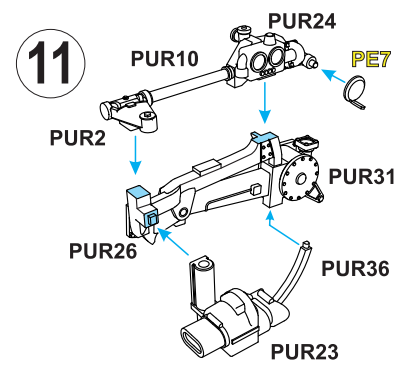
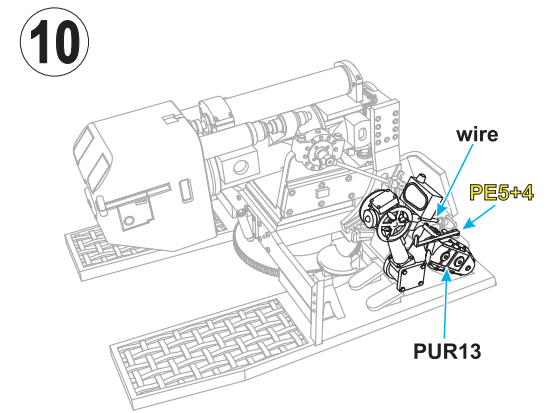
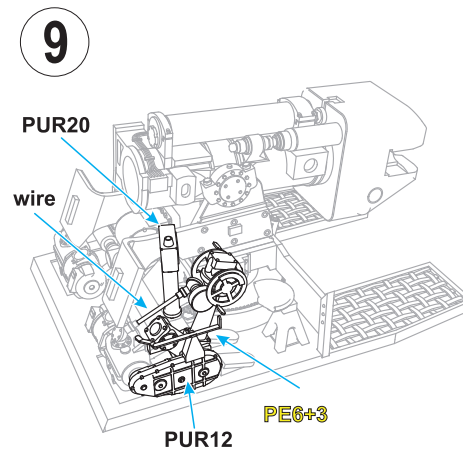
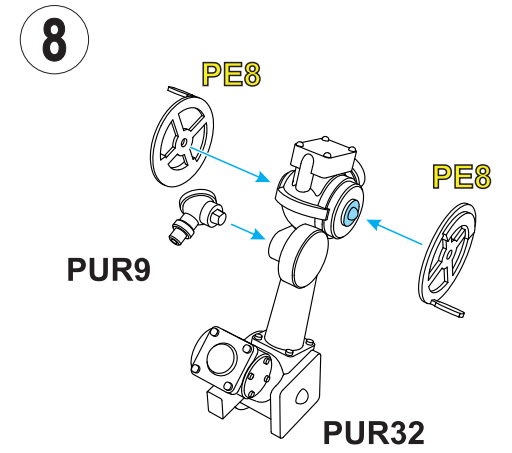
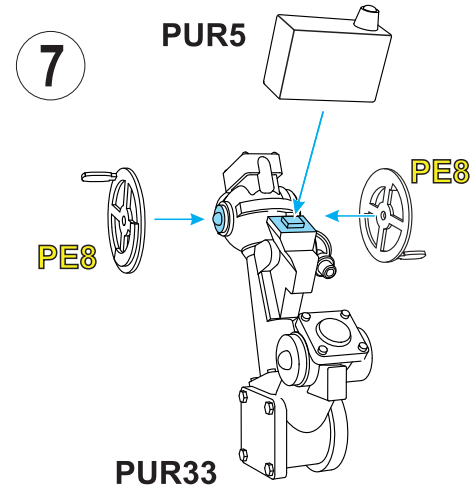
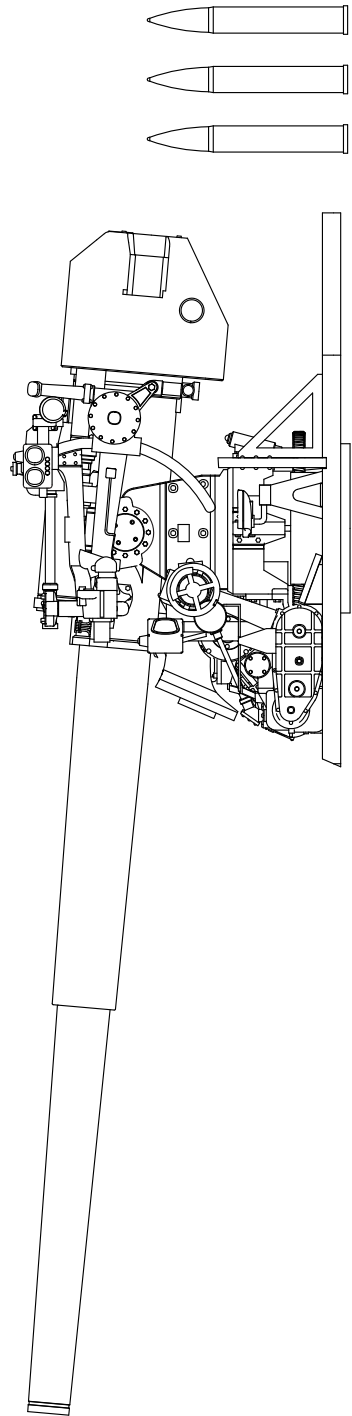
H1004 Ultra smooth and extra smooth saw (2 sides – 70 teeth / 42 teeth) 5 pcs

H1005 Ultra smooth saw (both sides – 70 teeth / 70 teeth) 5 pcs

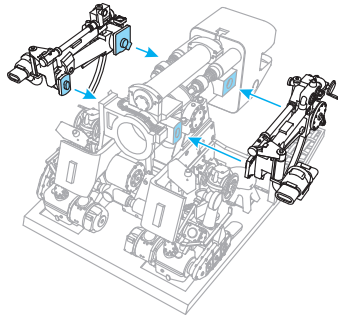
H1006 Very smooth saw (both sides – 42 teeth / 42 teeth) 5 pcs

H1007 Smooth saw (both sides – 31 teeth / 31 teeth) 5 pcs

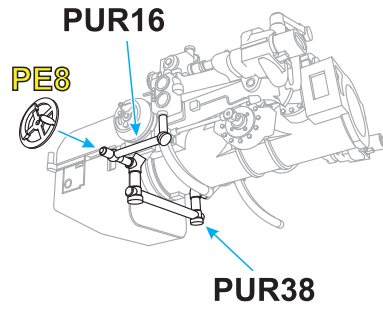
H1010 Razor Saw with Handle



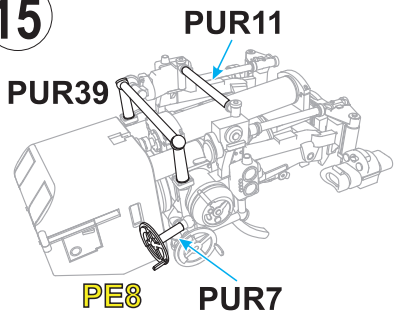
13



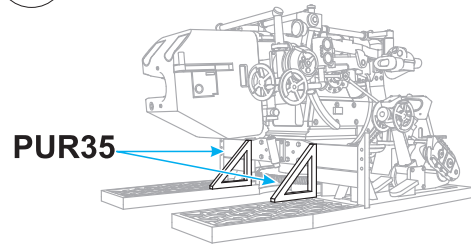
14



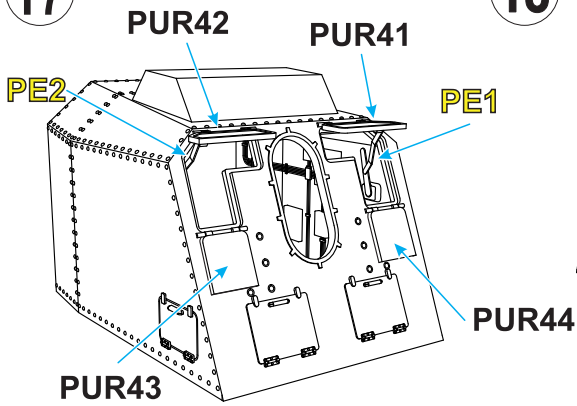
15



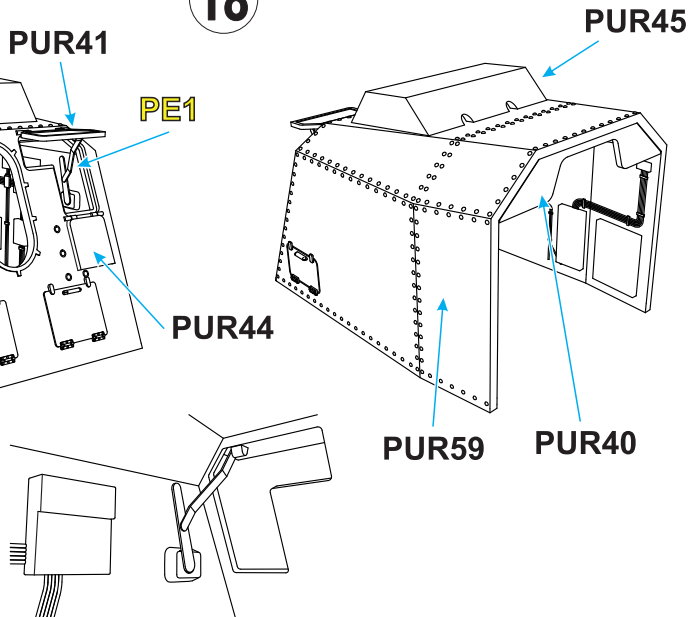
16



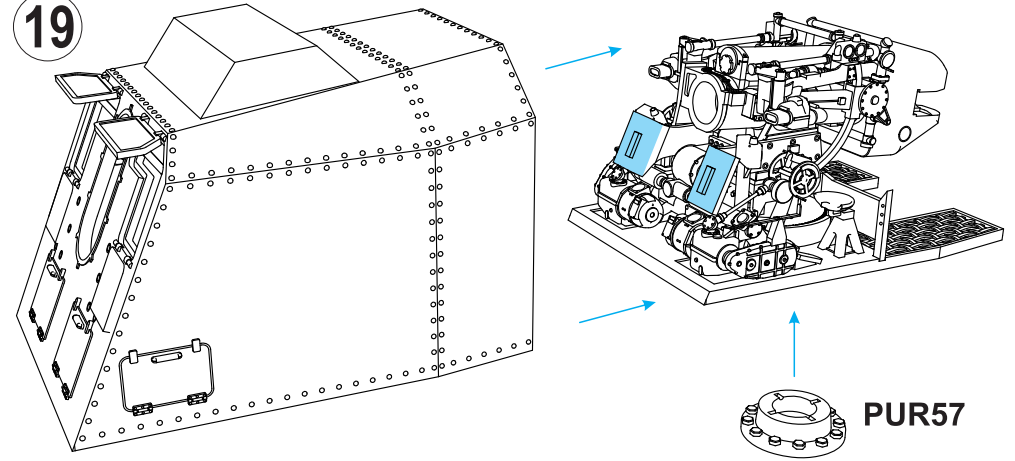
17



18



19



20

