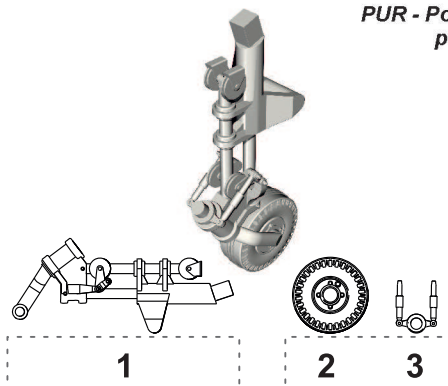


Q32 322  
1/32

**P-51D Mustang  
– Tail Wheel  
with Strengthened leg**  
for Revell kits



**PUR - Polyurethane  
parts**



© Special Hobby 2018

Díly ohnuté popř. pokroutené vlivem teplotních změn a stárnutí materiálu, mohou být narovnány do požadovaného tvaru pomocí proudu teplé vody nebo vzduchu (fén na vlasy).

*Parts slightly distorted and bent owing to temperature changes or due to material ageing can be straightened to requested shape by hot water or hot air jet. (hair dryer)*

*This process can be repeated till result is entirely satisfactory.*

*K lepení použít kyanoakrylátové lepidlo!*

*For best result gluing use cyanoacrylate glue!*

*Kontaktní plochy doporučujeme před lepením odmastit  
Contact areas ungrease is recommended before gluing.*

**Visit our official website and e-shop at**

**www.cmkkits.com**

**www.specialhobby.eu**

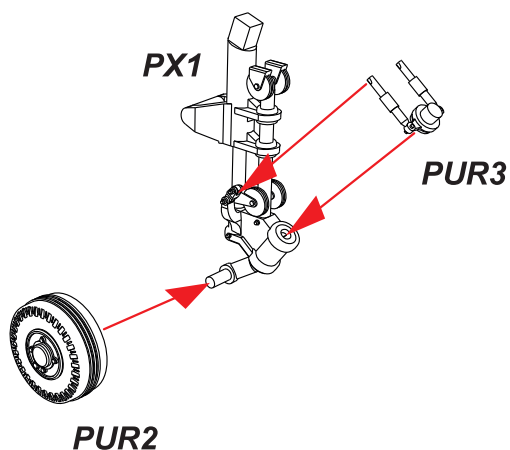


**OTHER ITEMS - 1:32 SETS**

- 5128 1/32 P-51D Mustang Metal Drop Tank w/ jutting filler neck (2 pcs), for Revell kit
- 5123 P-51D Mustang Main Undercarriage Strengthened legs, for Revell kit
- Q32 321 1/32 P-51D Mustang – Seat with Belts + Armour Plate, for Revell kit
- Q32 320 1/32 P-51D Mustang – Seat + Armour Plate, for Revell kit
- Q32 318 1/32 P-51D Mustang – K-14A Gunsight, for Revell kit
- Q32 317 1/32 P-51D Mustang – Rudder Pedals Correction

Special Hobby, Mezilesí 718, CZ - Praha 9, 193 00,  
e-mail: office@specialhobby.eu

**Step 1**



**Step 2**

