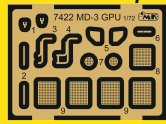
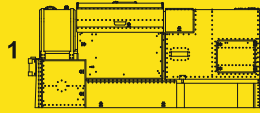


like as on
www.facebook.com/specialhobby/

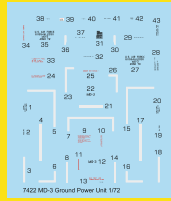
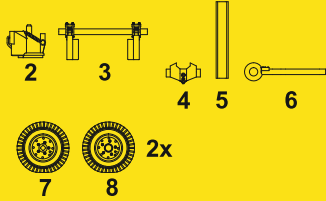
7422 MD-3 Ground
 1/72 Power Unit



PUR - Polyurethane parts PP - Photo-Etched parts



Decals



Díly ohnuté popř. pokroucené vlivem teplotních změn a stárnutí materiálu, mohou být narovnané do požadovaného tvaru pomocí proudu teplé vody nebo vzduchu (fén na vlasy).

Parts slightly distorted and bended owing to temperature changes or due to material ageing can be straightened to requested shape by hot water or hot air jet. (hair dryer)

This process can be repeated till result is entirely satisfactory.

K lepení použít kyanokrylátové lepidlo!
 For best glueing results use cyanoacrylate glue!

Kontaktní plochy doporučujeme před lepením odmastit
 Contact areas degreasing is recommended before glueing.

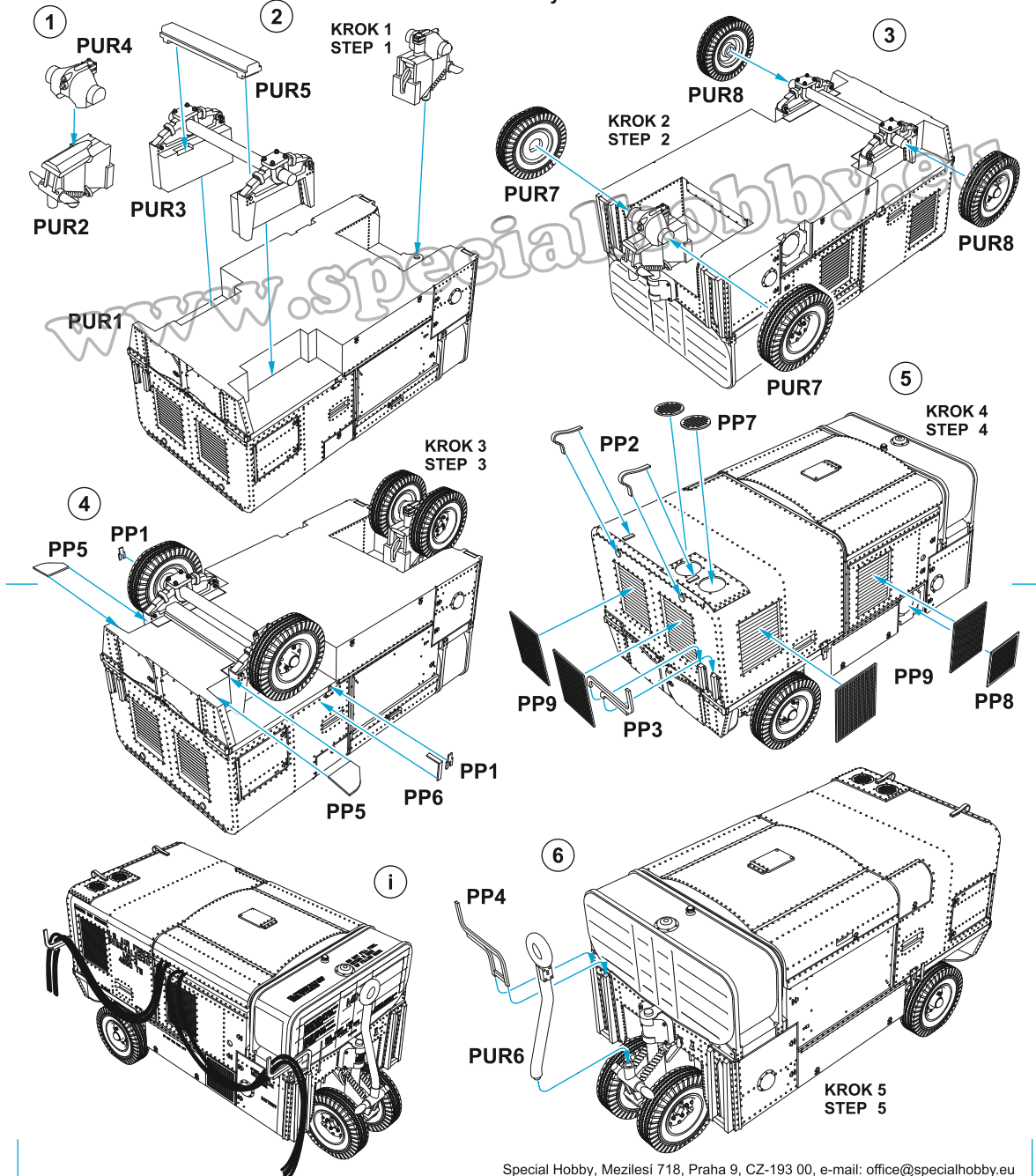
Visit our official website and e-shop at

www.cmkkits.com
www.specialhobby.eu

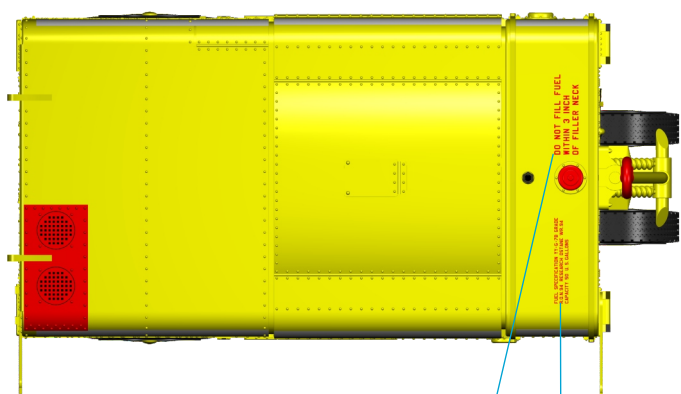
OSTATNÍ SETY CMK 1/72 / OTHER 1/72 CMK SETS

- 7307 Remove Before Flight Tags (20 pc)
- 7319 EADS GAF Teletens Recce Pod
- 7320 EADS GAF Recce Pod
- 7328 Bofors m/70 Rocket pod (2 pcs)
- 7340 Matra Type 155 SNEB Rocket Launcher Pod (2 pcs)
- 7341 Mk.82 Bomb (2 pcs)
- 7342 Mk.82AIR BSU49B Bomb (2 pcs)
- 7360 AS 12 Missile (2pcs)
- 7365 MA-1A USAF Start Cart
- 7416 Palouste Mk.101/ 102 - Jet Air Starter Trolley and Airborne Pod
- F72222 US modern jet pilots (3 pcs)
- F72231 USAF Pilots modern (3 fig.)

Sestavení/ Assembly of MD-3 GPU



Zbarvení/ Colour & Marking MD-3 GPU



Žlutá
Yellow
H4 /C4
RC007

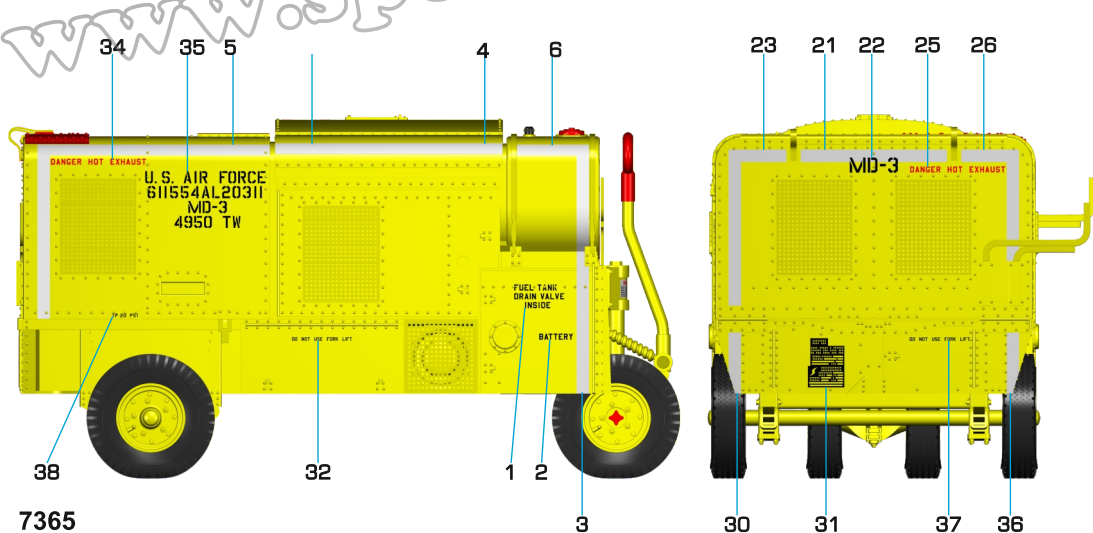
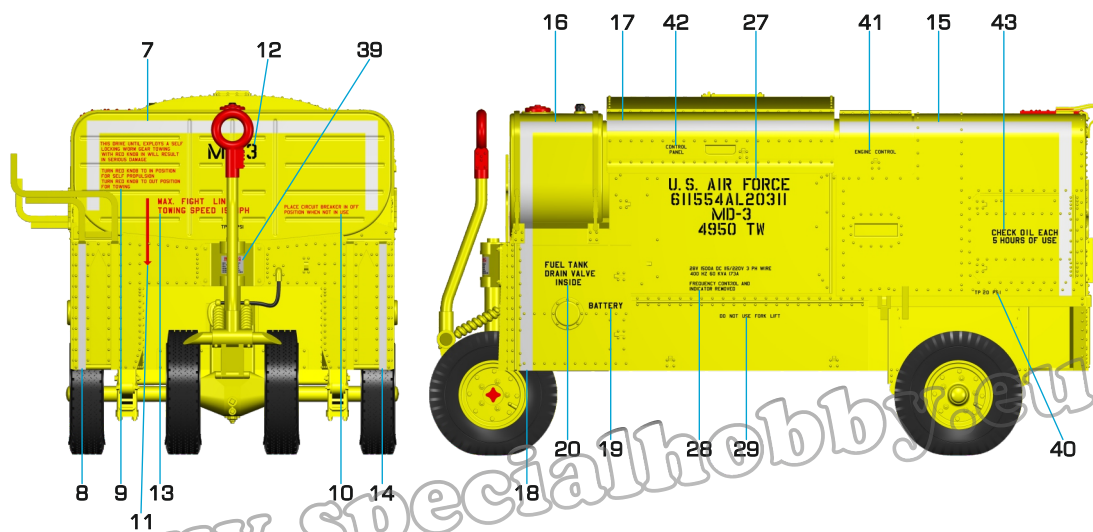


Červená
Red
H3 /C3
RC006



Černá pneu
Tire Black
H77 /C137
RC022

33 24



7365
MA-1A USAF
Start Cart
1/72



7416
Palouste Mk.101/102
Jet Air Starter Trolley and
Airborne Pod
1/72

