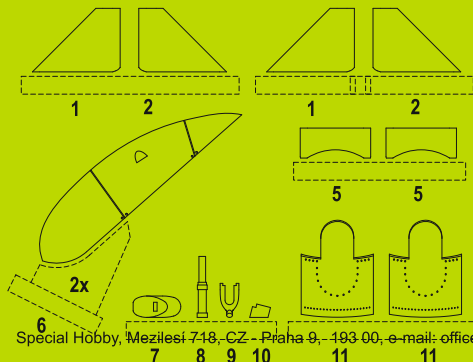


4383

1/48

Blenheim Mk.I/II
 'Finish AF 1st serie'

Ski Undercarriage – fixed type
set for Airfix kit

PUR - Polyurethane parts


Special Hobby, Mezilesí 718, CZ - Praha 9, 193 00, e-mail: office@specialhobby.eu

Dily ohnuté popř. pokrivené vlivem teplotních změn a stárnutí materiálu, mohou být narovnané do požadovaného tvaru pomocí proudu teplé vody nebo vzduchu (fén na vlasy). Různé drátky a tyčinky nejsou přiloženy.
 K lepení použijte kyanoakrylátové lepidlo.

Kontaktní plochy doporučujeme před lepením odmastit.

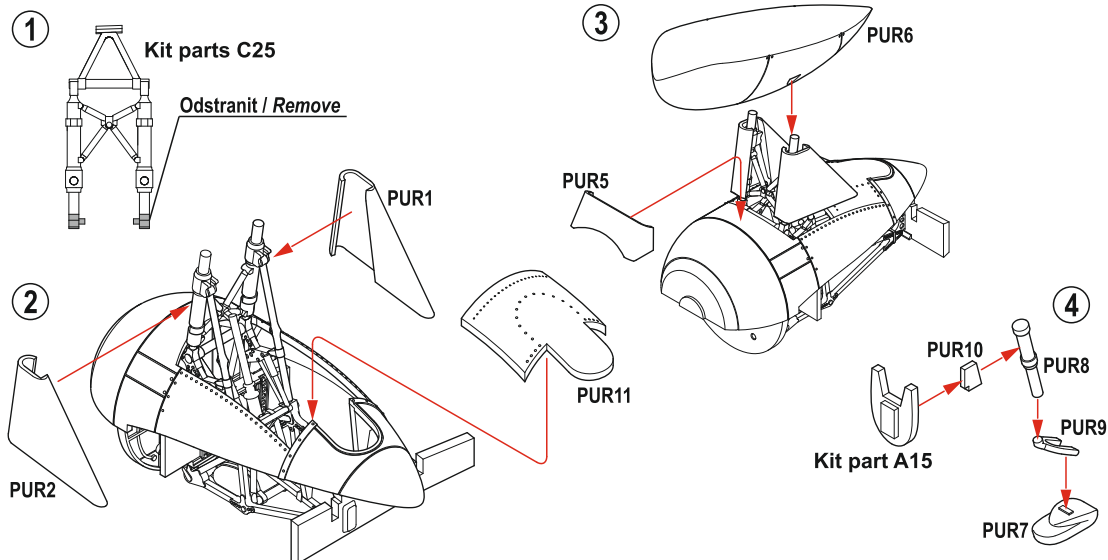
Parts slightly distorted and bended owing to temperature changes or due to material ageing can be straightened to requested shape by hot water or hot air jet (hair dryer). Wires and rods not included. For best results gluing use cyanoacrylate glue. Contact areas ungrease is recommended before gluing

Visit our official website and e-shop at
www.cmkkits.com
www.specialhobby.eu
www.facebook.com/specialhobby/

OTHER 1/48 SETS / OSTATNÍ SETY 1/48

- 4382 Blenheim Mk.I Mainwheels / Circumferential Tread
- 4381 Blenheim Mk.IF Armament Set
- 4379 Blenheim Mk.I Tailwheel with strengthened leg
- 4378 Blenheim Mk.I Mainwheels / Smooth Tyre
- 4363 Boulton Paul Defiant - Engine set for Airfix kit
- 4364 Boulton Paul Defiant - Cockpit set for Airfix kit
- 4366 Beaufighter T.Mk.X - Cockpit set for Revell kit
- 4359 Antisubmarine Bomb 500lb Mk. VIII
- 4358 Antisubmarine Bomb 250lb Mk. VIII
- 4338 Spitfire Mk. I - Armament set for Airfix
- 4337 Spitfire Mk. I - Control Surfaces for Airfix
- 4336 Spitfire Mk. I - Interior set for Airfix
- 4324 Spitfire Mk. Vb Engine set for Airfix

© CMK 2019



Special Hobby, Mezilesí 718, CZ - Praha 9, 193 00, e-mail: office@specialhobby.eu

© CMK 2019