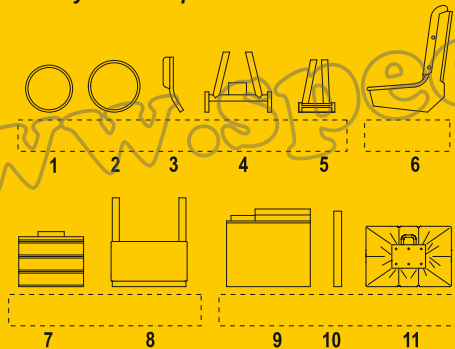


www.facebook.com/specialhobby/

4380 **Blenheim Mk. I pilot's and navigator's seats**
1/48
for Airfix kit



PUR - Polyurethane parts



Díly ohnuté popř. pokroucené vlivem teplotních změn a stárnutí materiálu, mohou být narovnané do požadovaného tvaru pomocí proudu teplé vody nebo vzduchu (fén na vlasy).

Parts slightly distorted and bent owing to temperature changes or due to material ageing can be straightened to requested shape by hot water or hot air jet. (hair dryer)

This process can be repeated till result is entirely satisfactory.

K lepení použít kyanoakrylátové lepidlo!

Use cyanoacrylate (super) glue!

Kontaktní plochy doporučujeme před lepením odmastit.

It is recommended to ungrease the mating surfaces before assembly.

Visit our official website and e-shop at

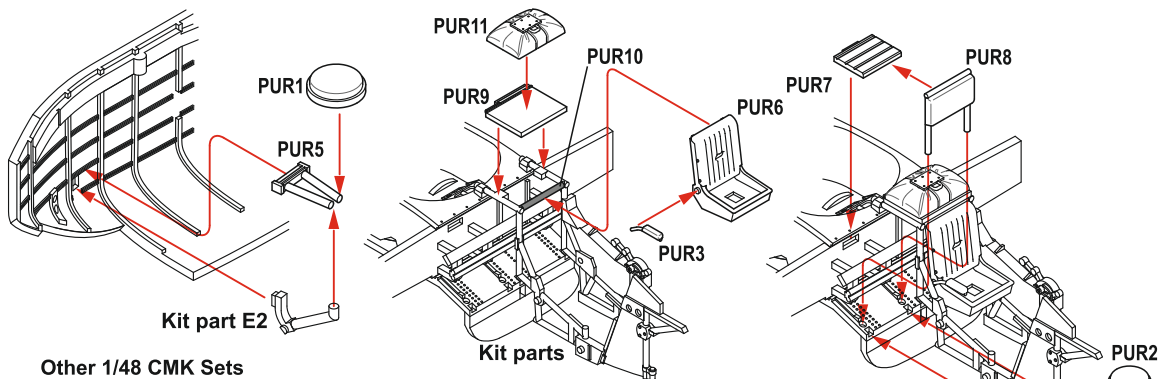
www.cmkkits.com
www.specialhobby.eu



OTHER ITEMS - 1:48 SETS

- 4382 Blenheim Mk.I Mainwheels / Circumferential Tread
- 4381 Blenheim Mk.IF Armament
- 4379 Blenheim Mk.I/IF Tailwheel with strengthened leg
- 4378 Blenheim Mk. I /IF Mainwheels / Smooth Tyre
- 4363 Boulton Paul Defiant - Engine set for Airfix kit
- 4364 Boulton Paul Defiant - Cockpit set for Airfix kit
- 4366 Beaufighter T.Mk.X - Cockpit set for Revell kit
- 4359 Antisubmarine Bomb 500lb Mk. VIII
- 4358 Antisubmarine Bomb 250lb Mk. VIII
- 4338 Spifire Mk. I - Armament set for Airfix kit
- Q48 341 Blenheim Mk.I Engine Intakes
- Q48 342 Blenheim Mk.I Exhausts

Special Hobby, Mezilesí 718, CZ - Praha 9, 193 00,
e-mail: office@specialhobby.eu

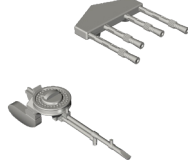


Other 1/48 CMK Sets for Blenheim Mk.I/IF

129-4379 (Airfix kit)
Blenheim Mk.I Tailwheel with strengthened leg



129-4381
Blenheim Mk.IF Armament



129-4382
Blenheim Mk.I Mainwheels / Circumferential Tread



129-Q48342
Blenheim Mk.I Exhausts



129-4378
Blenheim Mk.I Mainwheels / Smooth Tyre



129-Q48341
Blenheim Mk.I Engine intakes

