

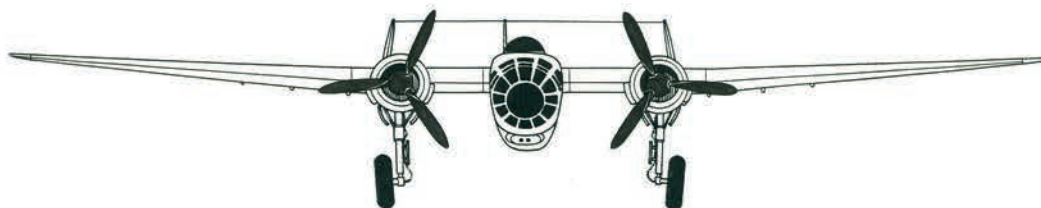
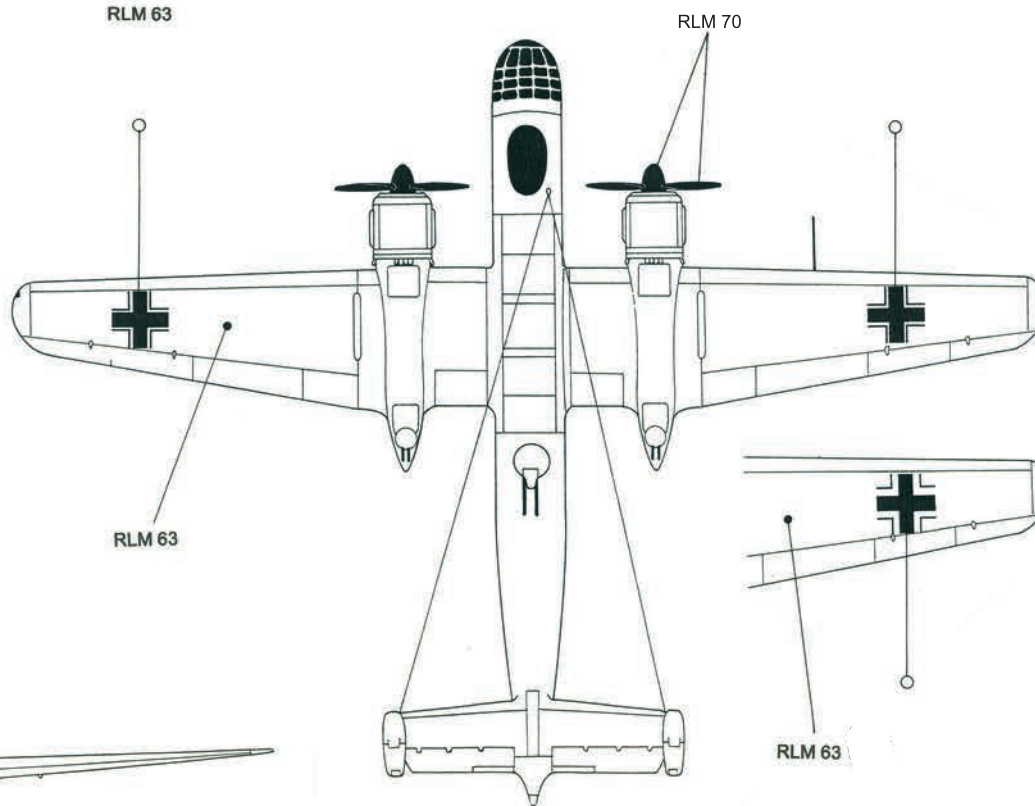
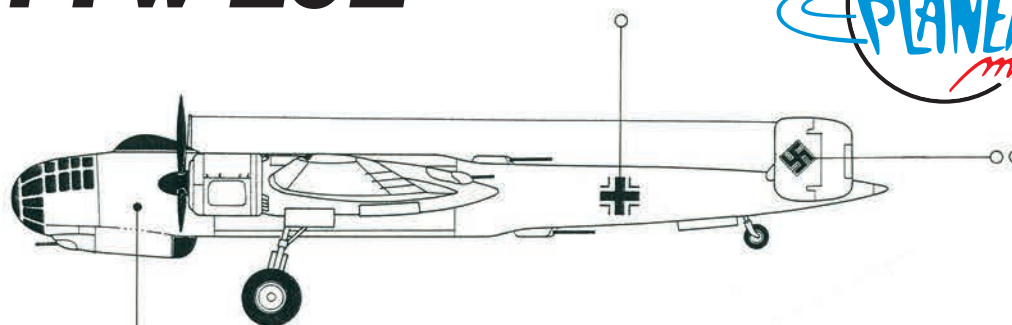
PLT038

Focke Wulf Fw 191



During the winter of 1939-40, four companies received from RLM the outline specification for a new medium bomber. This was known as the B medium bomber type which was to have a maximum speed of 600 km/h and carry a 4000 kg bomb load. By July 1940, the four firms submitted their design proposals with the result that the Fw 191 and Ju 288 were selected for full development. The Fw 191 was designed as an all-metal, twin engine aircraft possessing clean lines. The Fw 191 V1 first flew early in 1942 and, after ten flights, was joined by the similar Fw 191 V2. The flight tests with the FW 191V1 and V2 machines proved very disappointing because these prototypes were fitted with less-powerful 1600 Hp BMW 801A engines to begin flight testing.

Late in 1942 permission was given to abandon work on the Fw 191 V3, V4 and V5 prototypes and to modify and complete the V6 machine. The most important modifications were that all the main systems were made hydraulic and two specially-prepared Jumo 222 engines were fitted although these were still only producing less than 90% of their design power. With no other 2500Hp class engine available, therefore, the whole B medium bomber programme was officially shut down.



Messerschmitt Bf 109E CMK RESIN SETS for Special Hobby kits



- | | | | | | | | | | |
|----------------------------------|---|--|--|--|--------------------------------------|------------------------------------|--|--|--|
| 7455
Bf 109E
Engine | 7457
Bf 109E-3/4/7
Wing Guns | 7458
Bf 109E
FuG VII Radio
Equipment | 7460
Bf 109E-1/5
Wing
Machine Guns | 7461
ESK 2000 B
German WWII
Gun Camera | Q72390
Bf 109E
Exhausts | Q72384
Bf 109E
Wheels | Q72391
Bf 109E
Tailwheel with
Strengthened Leg | Q72389
Bf 109E
Propeller
Spinner | F72369
Bf 109E Ace
A. Galland and
Mechanic |
|----------------------------------|---|--|--|--|--------------------------------------|------------------------------------|--|--|--|



CMK H1010

The Razor Saw with Handle (cat. n. H1010) is a great tool for cutting both plastic and resin.

CMK also offers a wide variety of coarse / medium / fine saws.

special HOBBY  facebook.com/specialhobby | WWW.SPECIALHOBBY.EU | WWW.CMKKITS.COM 

