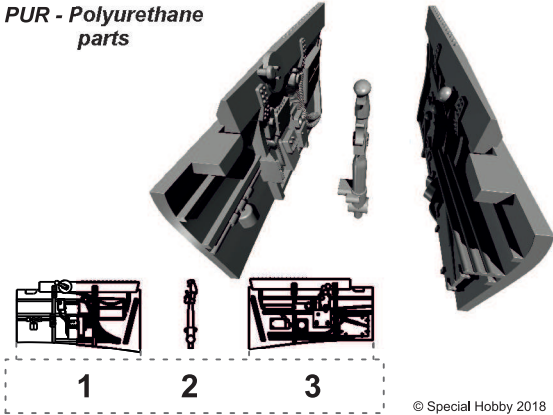


**Q72 301 P-40 Cockpit Sidewalls  
1/72  
and Control Column  
for Special Hobby kits**



**PUR - Polyurethane  
parts**



© Special Hobby 2018

Díly ohnuté popř. pokroucené vlivem teplotních změn a stárnutí materiálu, mohou být narovnány do požadovaného tvaru pomocí proudu teplé vody nebo vzduchu (fén na vlasy).

*Parts slightly distorted and bent owing to temperature changes or due to material ageing can be straightened to requested shape by hot water or hot air jet. (hair dryer)*

*This process can be repeated till result is entirely satisfactory.*

**K lepení použít kyanoakrylátové lepidlo!  
For best result gluing use cyanoacrylate glue!**

**Kontaktní plochy doporučujeme před lepením odmastit  
Contact areas ungrease is recommended before gluing.**

**Visit our official website and e-shop at**

**www.cmkkits.com**

**www.specialhobby.eu**



**NEW ITEMS - 1:72 SETS**

7386 1/72 P-40 - Control Surfaces for Special Hobby

7387 1/72 P-40 - Armament Set for Special Hobby

7388 1/72 P-40 - Engine Set for Special Hobby

Q72 293 1/72 P-40E, F, K, L, M and N-1 Seat for Special Hobby kit

Q72 294 1/72 P-40N-5 through N-40 Seat for Special Hobby kit

Q72 296 1/72 P-40 Wheels - Block Tread for Special Hobby kit

Q72 297 1/72 P-40 Wheels - Cross Tread for Special Hobby kit

Q72 298 1/72 P-40 Wheels - Diamond and Hole Tread for Special H, kit

Q72 299 1/72 P-40E, F, K, L, M and N-1 Seat with Belts for Special H, kit

Q72 300 1/72 P-40N-5 through N-40 Seat with Belts for Special Hobby kit

Special Hobby, Mezilesí 718, CZ - Praha 9, 193 00,  
e-mail: office@specialhobby.eu

