

Resin kit

No 5130
1/32

MD-3 Ground Power Unit

Navštivte naše stránky / Visit our official website specialhobby.eu, cmkkits.com

PUR - Polyurethane parts

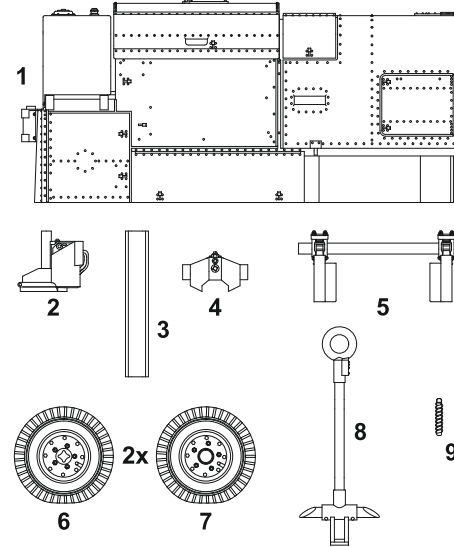
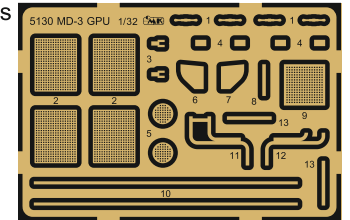
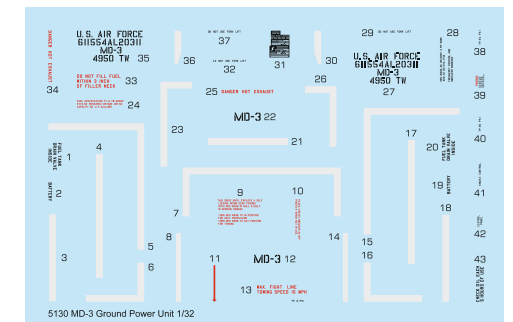


Photo-Etched parts



Decals



Díly ohnuté popř. pokroucené vlivem teplotních změn a stárnutí materiálu, mohou být narovnány do požadovaného tvaru pomocí proudu teplé vody nebo vzduchu (fén na vlasy). Různé drátky a tyčinky nejsou přiloženy. K lepení použijte kyanoakrylátové lepidlo. Kontaktní plochy doporučujeme před lepením odmastit.

Parts slightly distorted and bended owing to temperature changes or due to material ageing can be straightened to requested shape by hot water or hot air jet (hair dryer). This process can be repeated till result is entirely satisfactory. Wires and rods not included. For best results use cyanoacrylate glue. It is recommended to ungrease contact areas before gluing.



CMK H1010

The Razor Saw with Handle (cat. n. H1010) is a great tool for cutting both plastic and resin. CMK also offers a wide variety of coarse / medium / fine saws.

OTHER 1/32 CMK RESIN SETS

- 5128 P-51D Mustang Metal Drop Tank w/ jutting filler neck (2 pcs), for Revell kit
- 5125 P-51D Mustang - Wheels (Cross Tread Pattern), for Revell kit
- 5113 Mk. 82AIR BSU49B Bomb (Air Inflatable Retarder) 2 pcs

Special Hobby, Mezileš 718, Praha 9 - CZECH REPUBLIC, e-mail: office@specialhobby.eu

Sestava/ Assembly

