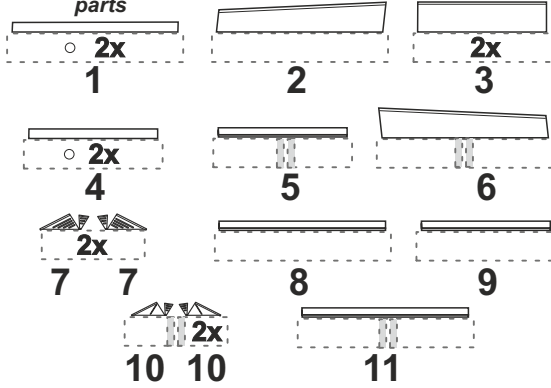


7407 CASA C-212 Wing Flaps
1/72 for Special Hobby kits



© Special Hobby 2018

PUR - Polyurethane parts



Díly ohnuté popř. pokroucené vlivem teplotních změn a stárnutí materiálu, mohou být narovnány do požadovaného tvaru pomocí proudu teplé vody nebo vzduchu (fén na vlasy).

Parts slightly distorted and bent owing to temperature changes or due to material ageing can be straightened to requested shape by hot water or hot air jet. (hair dryer)

This process can be repeated till result is entirely satisfactory.

*K lepení použít kyanoakrylátové lepidlo!
For best result gluing use cyanoacrylate glue!*

*Kontaktní plochy doporučujeme před lepením odmastit
Contact areas ungrease is recommended before gluing.*

Visit our official website and e-shop at

www.cmkkits.com
www.specialhobby.eu



OTHER ITEMS - 1:72 SETS

Q72305 1/72 J2M3 Raiden Seat with Belts, for Hasegawa kit
Q72310 1/72 F-4B/ J/N/ S Phantom II – IFR, for Hasegawa kit
Q72 311 1/72 Remora - Radar Jammer Pod for Mirage F.1 and Mirage 2000

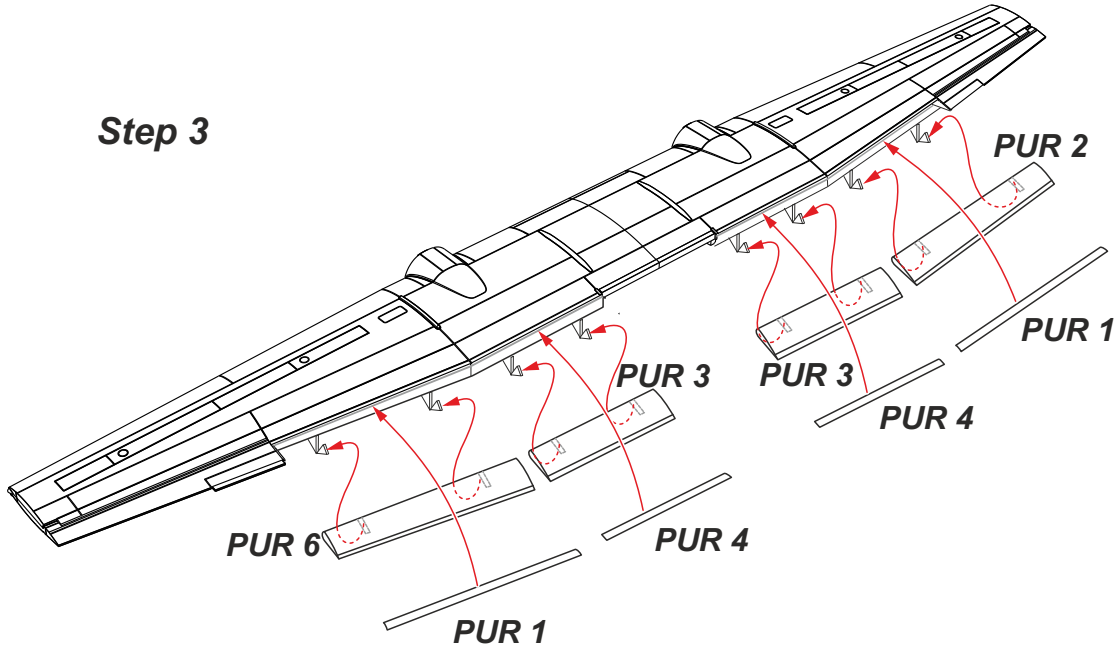
Q72 312 1/72 Sycomor - Chaff/ Flare Dispenser for Mirage F.1
Q72 313 1/72 Vampire Mainwheels and Nosewheel, for Special Hobby kit

Q72 314 1/72 A-4B/P Skyhawk Mainwheels and Nosewheel (early with spoke type hubs), for Airfix kit

Q72 324 1/72 WWII IJAAF Fighter Aircraft External Fuel Tanks (2 pcs)

Special Hobby, Mezileší 718, CZ - Praha 9, 193 00,
e-mail: office@specialhobby.eu

Step 3



Řez křídlem / Wing section

