

PLT036
1/72

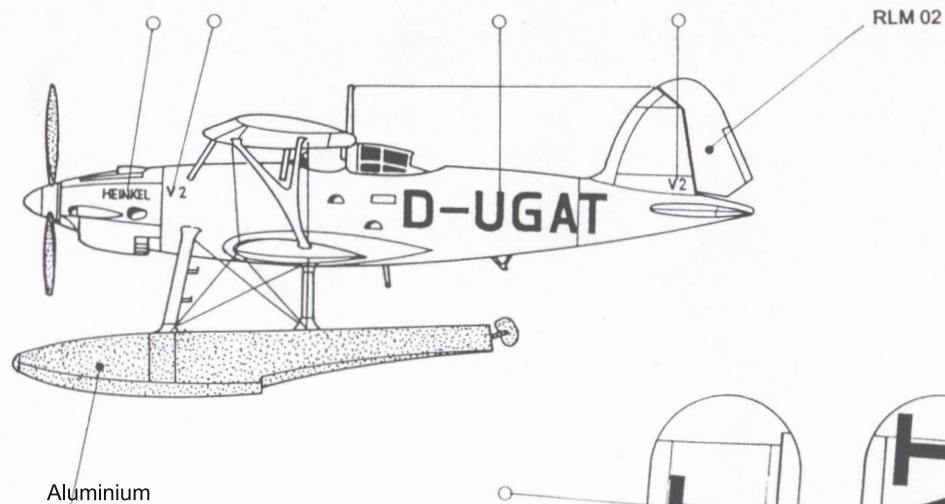
Heinkel He114 V2



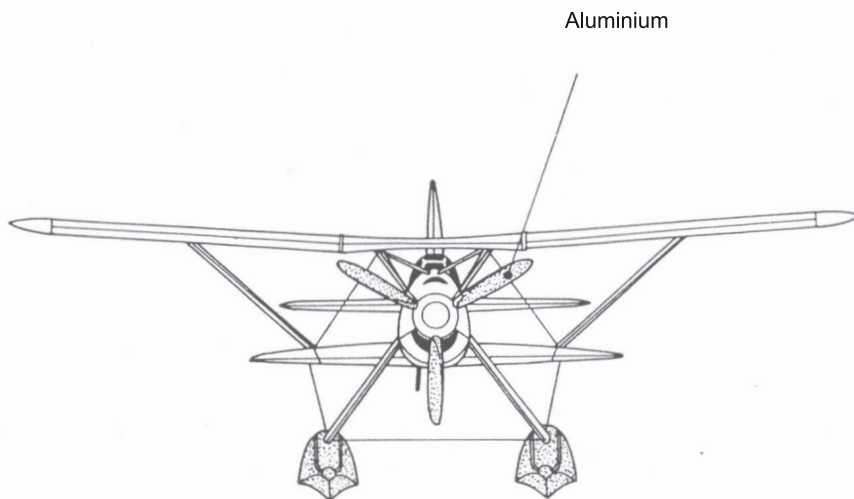
Heinkel He 114 V2

This two-seat twin float sesquiplane was designed in 1935 to succeed the He 60 in the role of shipboard reconnaissance. Although the He 114 was no spectacular performer and was somewhat outdated by the time the WWII began, it nevertheless saw service for more than half the duration of the war. Although the BMW 132 nine cylinder radial air cooled engine was eventually chosen to power the He 114, various engines were tried out in the prototype floatplanes.

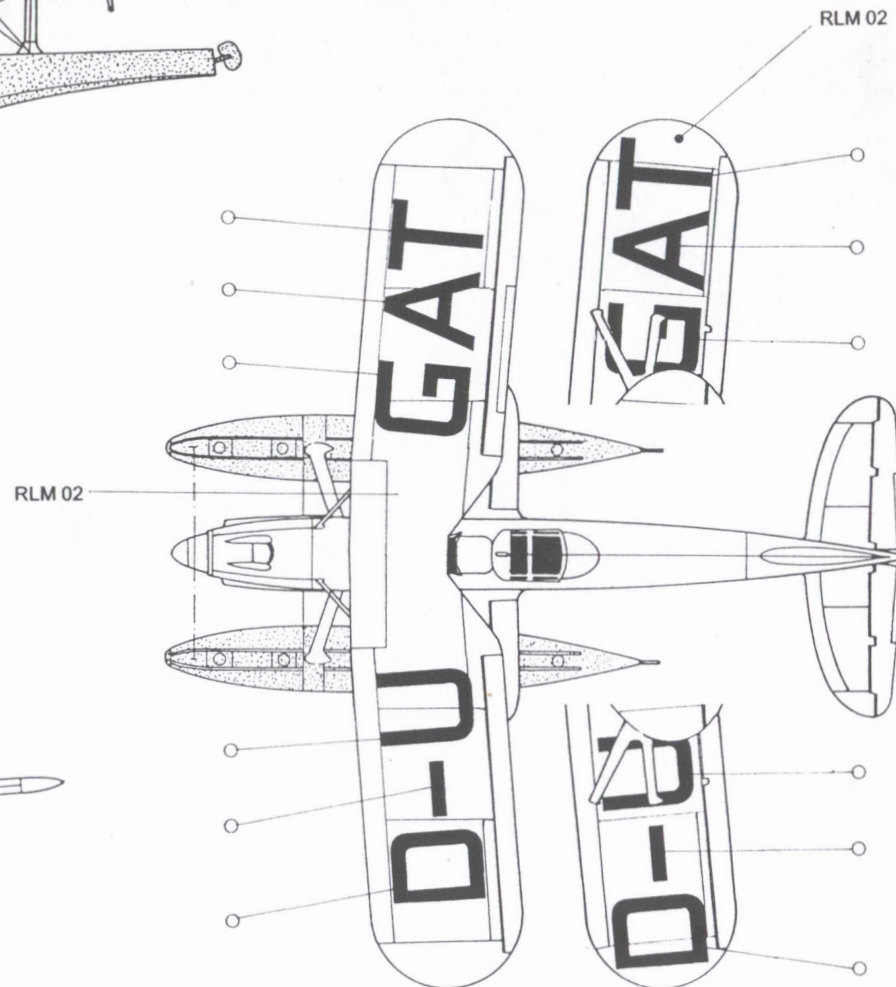
The second prototype, the He 114V2, D-UGAT, had a 640 Hp Junkers Jumo 210 driving a three-blade propeller.



Aluminium



Aluminium



RLM 02

RLM 02

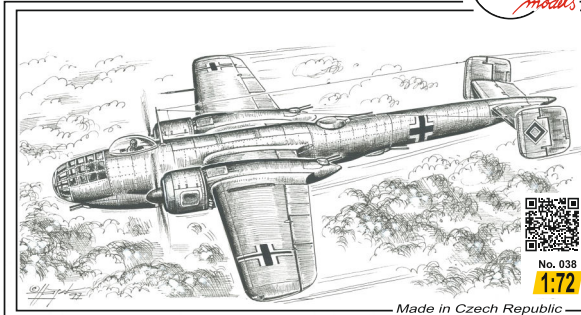


CMK H1010

The Razor Saw with Handle (cat. n. H1010) is a great tool for cutting both plastic and resin.

CMK also offers a wide variety of coarse / medium / fine saws.

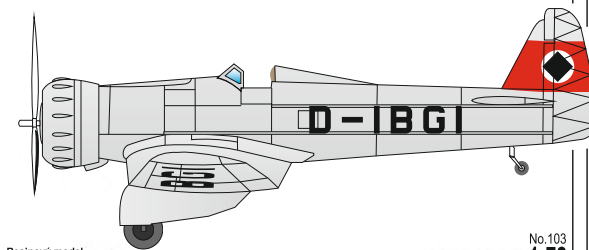
Focke Wulf Fw 191



No. 038
1:72

Made in Czech Republic

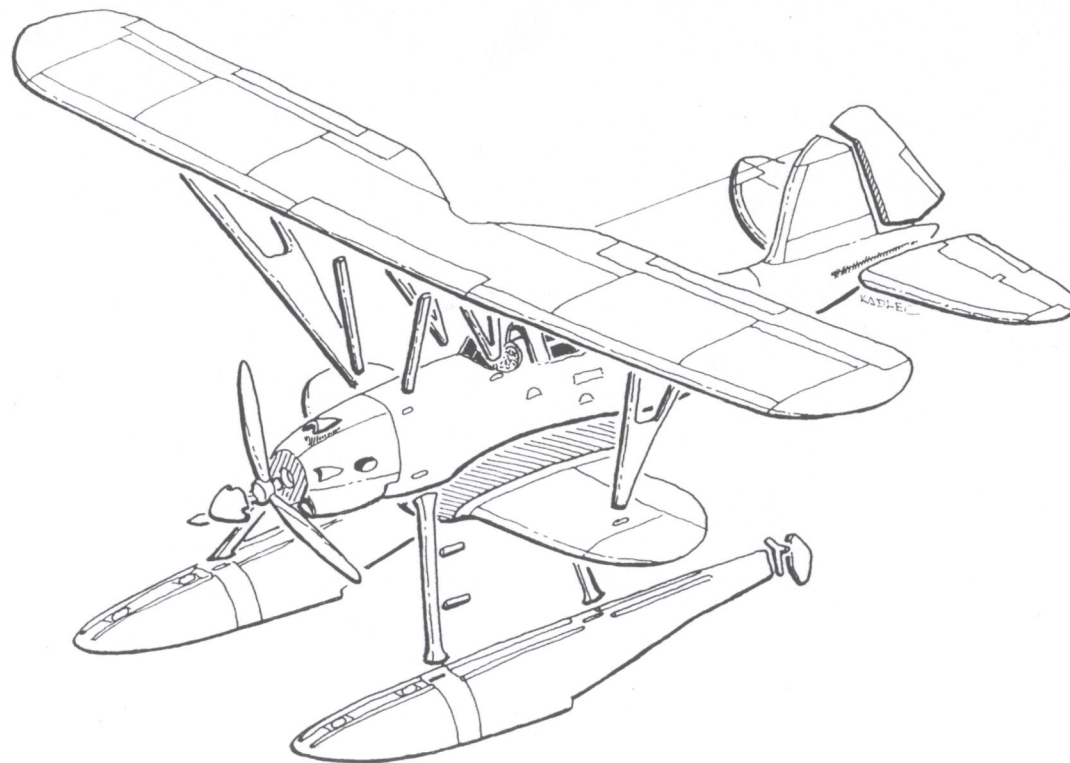
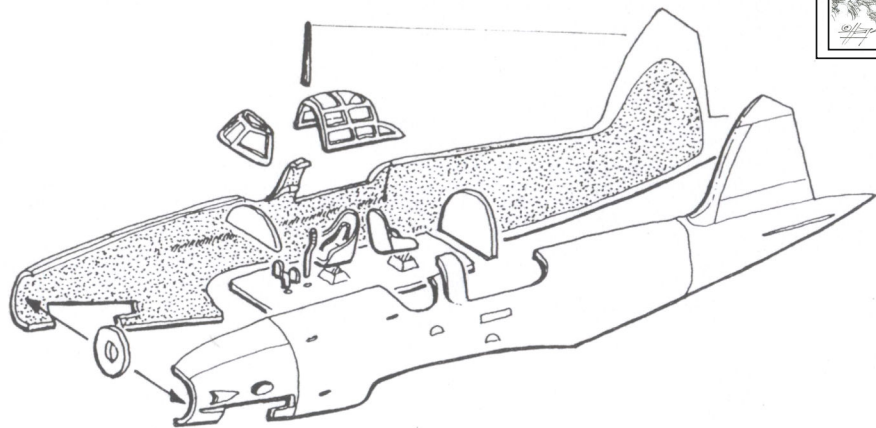
Blohm Voss Ha 137 V-2 "BMW 132 - powered"



Resinový model
Resin Kit.

No. 103
1:72

Made in Czech Republic



Special Hobby also offers other tools, 1/72 PLT038, PLT103 and many other resin kits. More at www.specialhobby.eu